

Maintenance &
Sterilization



SURGICAL
INSTRUMENTS CATALOGUE

www.healthfastsurgical.com



Health Fast Surgical
Surgical Manufacturer Company

info@healthfastsurgical.com | www.healthfastsurgical.com

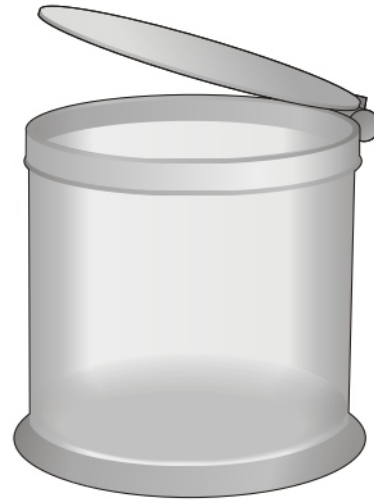


Scatola per sterilizzazione aghi da sutura - Box for needles
Sterilbehälter für Nadeln - Boite pour aiguilles de suture
Estuche para agujas

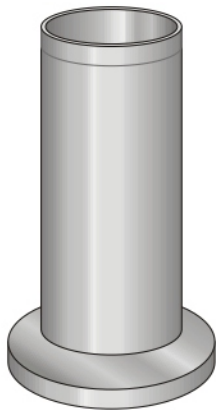


HS-7801
Ø 78 mm h 15 mm

Vaso in vetro con coperchio in acciaio inox
Jarín glass with lid in stainless steel
Pot en verre avec couvercle en acier inox



HS-7802-1 Ø 100x100 mm
HS-7802-2 Ø 120x120 mm



HS-7803-1 Ø 50 mm h 100 mm
HS-7803-2 Ø 50 mm h 150 mm
HS-7803-3 Ø 80 mm h 180 mm

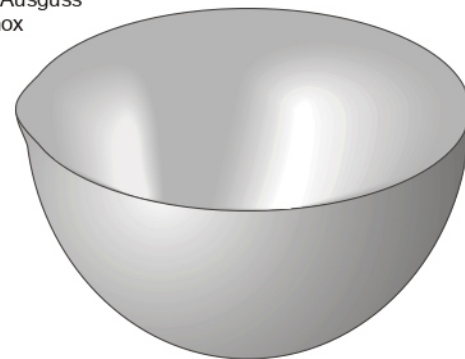


HS-7804-1 Ø 100x100 mm
HS-7804-2 Ø 120x120 mm

Capsule inox con fondo piano e becco
Lotion bowis capsules
Runder Sterilbehälter mit Ausguss
Capsule en acier inox



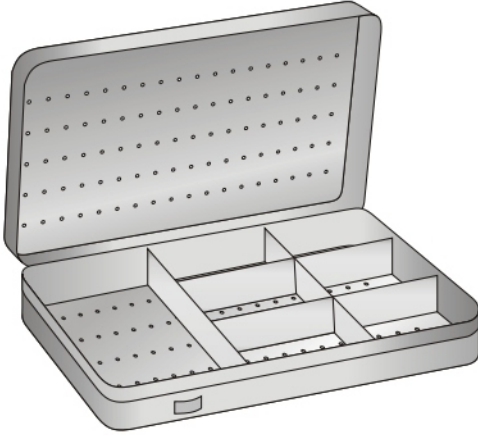
HS-7805-1 Ø 40 mm 15 cc
HS-7805-2 Ø 60 mm 75 cc
HS-7805-3 Ø 80 mm 225 cc
HS-7805-4 Ø 100 mm 325 cc
HS-7805-5 Ø 120 mm 500 cc
HS-7805-6 Ø 150 mm 600 cc



HS-7806-1 Ø 180 mm 1000 cc
HS-7806-2 Ø 200 mm 1450 cc
HS-7806-3 Ø 220 mm 2000 cc
HS-7806-4 Ø 240 mm 3300 cc

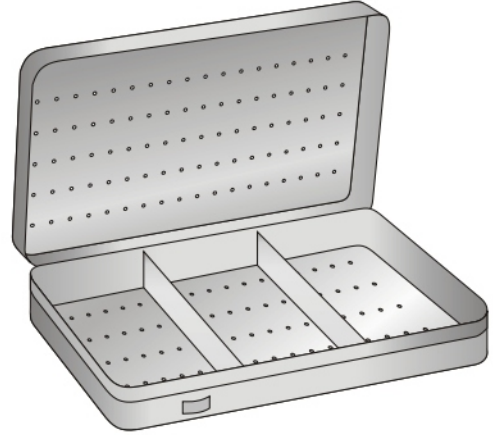
Inox - Stainless steel - Rostfrei
Inoxidable

Bacinella a 7 scomparti



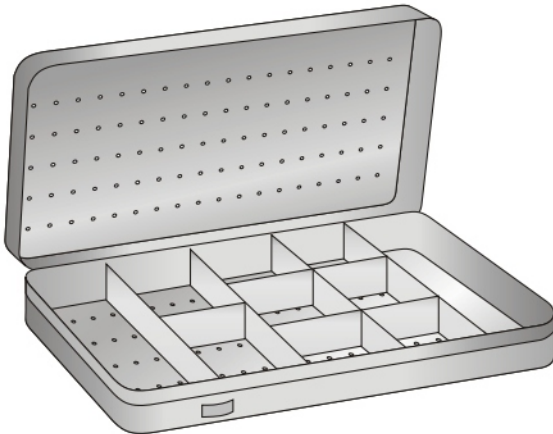
HS-7807
150 x 90 x 20 mm

Bacinella a 3 scomparti

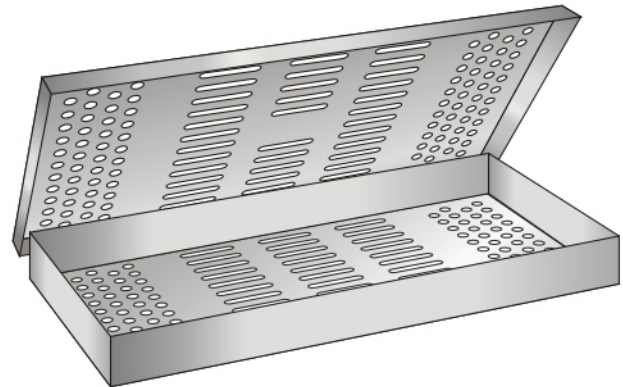


HS-7808
150 x 90 x 20 mm

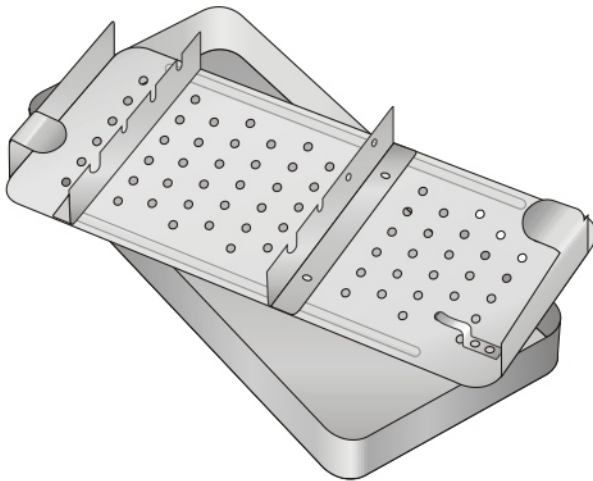
Bacinella a 10 scomparti



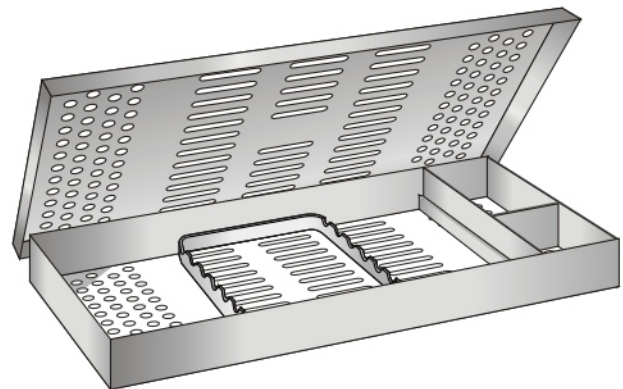
HS-7809
220 x 120 x 20 mm



HS-7810
275 x 130 x 25 mm



HS-7811
180 x 90 x 35 mm 2 ripiani



HS-7812-1 275 x 130 x 25 mm Con griglia e scomparti
HS-7812-2 285 x 190 x 25 mm Con griglia e scomparti

Bacinelle reniformi
Kidney bowls
Nierenschalen
Bassins réniformes
Riñoneras



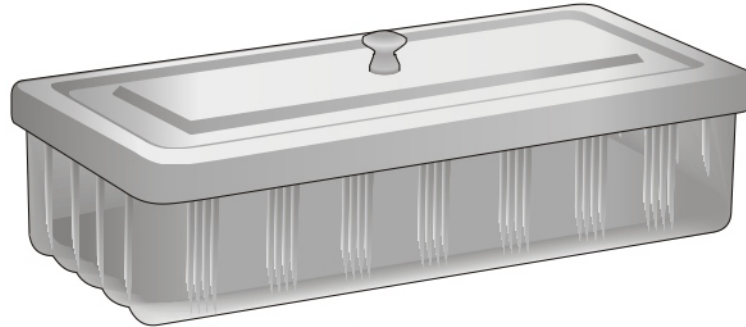
HS-7813-1 200 mm
HS-7813-2 250 mm
HS-7813-3 280 mm

Vassoi porta-strumenti
Trays
Schalen
Bassins
Bandejas



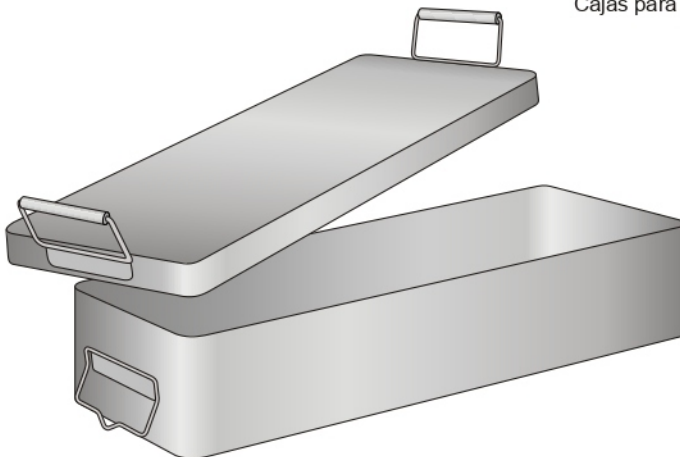
HS-7814-1 210x150x25 mm
HS-7814-2 250x180x30 mm
HS-7814-3 300x220x30 mm

Bacinella in vetro con coperchio e pomolo in acciaio inox
Container in glass with lid and knob in stainless steel
Cuvette en verre avec couvercle et pommeau en acier inox

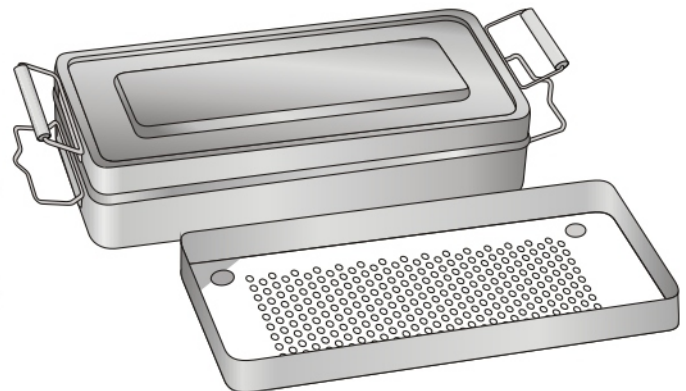


HS-7815-1 140x80x50 mm
HS-7815-2 200x60x40 mm
HS-7815-3 220x100x50 mm
HS-7815-3 220x140x60 mm
HS-7815-3 300x180x65 mm

Scatole per sterilizzazione a secco
Instrument boxes
Instrumentenkästen
Boites pour instruments
Cajas para instrumentos

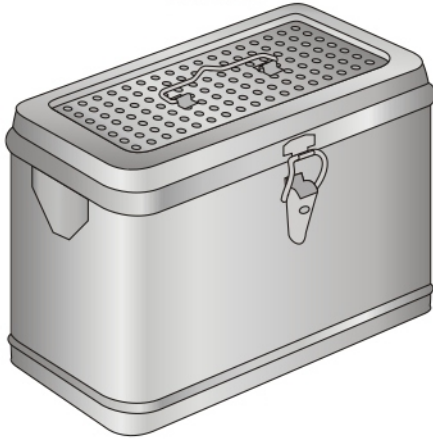


HS-7816-1 280 x 140 x 60 mm
HS-7816-2 300 x 140 x 60 mm
HS-7816-3 360 x 160 x 70 mm



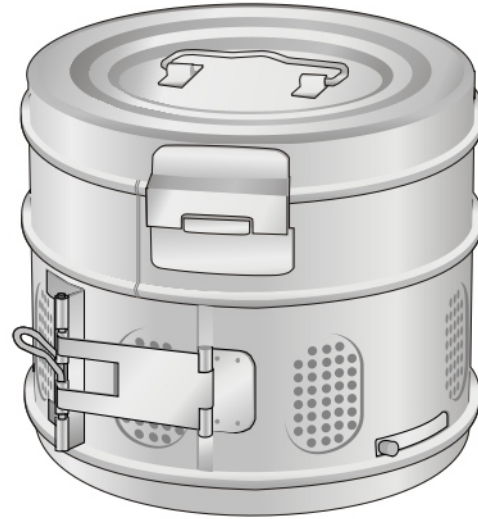
HS-7817-1 150 x 90 x 40 mm
HS-7817-2 200 x 100 x 60 mm
HS-7817-3 250 x 120 x 60 mm
HS-7817-4 280 x 140 x 60 mm
HS-7817-5 320 x 150 x 60 mm

Cestelli rettangolari con filtro
Mit filter
Whith filter
Avec filtre
Con filtros



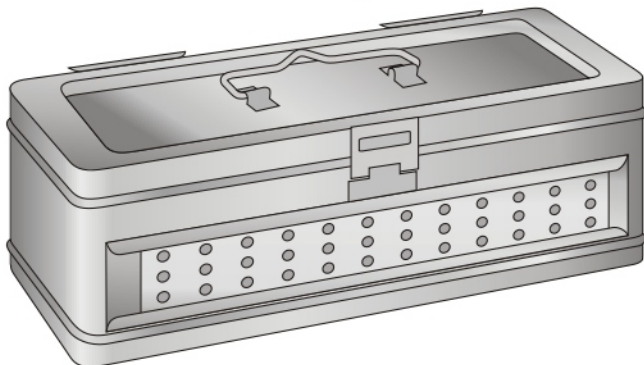
- HS-7818-1 200 x 180 x 120 mm
- HS-7818-2 200 x 180 x 180 mm
- HS-7818-3 250 x 250 x 250 mm
- HS-7818-4 270 x 160 x 160 mm
- HS-7818-5 290 x 290 x 290 mm
- HS-7818-6 350 x 230 x 200 mm

Cestelli cilindrici
Dressing sterilizing drums
Verbandstoffrommeln
Boites à stérilisation
Cajas para esterilizacion



- HS-7819-1 125x125 mm
- HS-7819-2 150x150 mm
- HS-7819-3 190x145 mm
- HS-7819-4 290x240 mm

Cestelli rettangolari
Rectengular drum
Panier rectangulaire



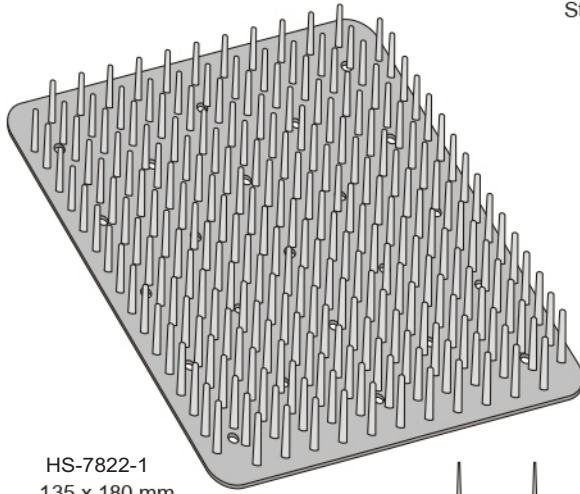
- HS-7820-1 300 x 150 x 60 mm
- HS-7820-2 300 x 150 x 90 mm
- HS-7820-3 300 x 150 x 180 mm

Cestelli rettangolari
Rectengular drum
Panier rectangulaire

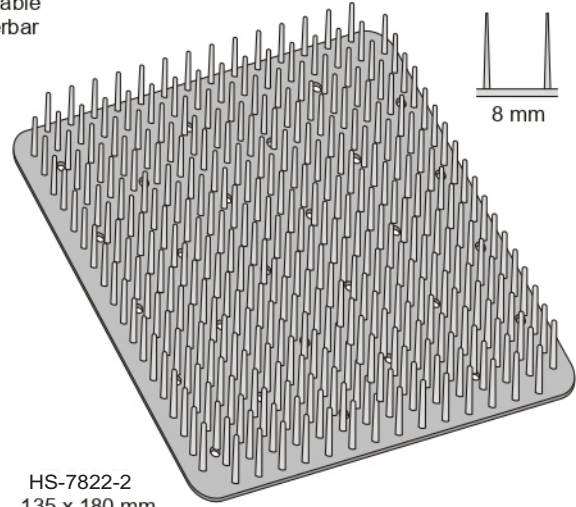
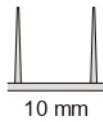


- HS-7821-1 190x110x120 mm
- HS-7821-2 200x180x120 mm
- HS-7821-3 200x180x180 mm
- HS-7821-4 250x200x200 mm

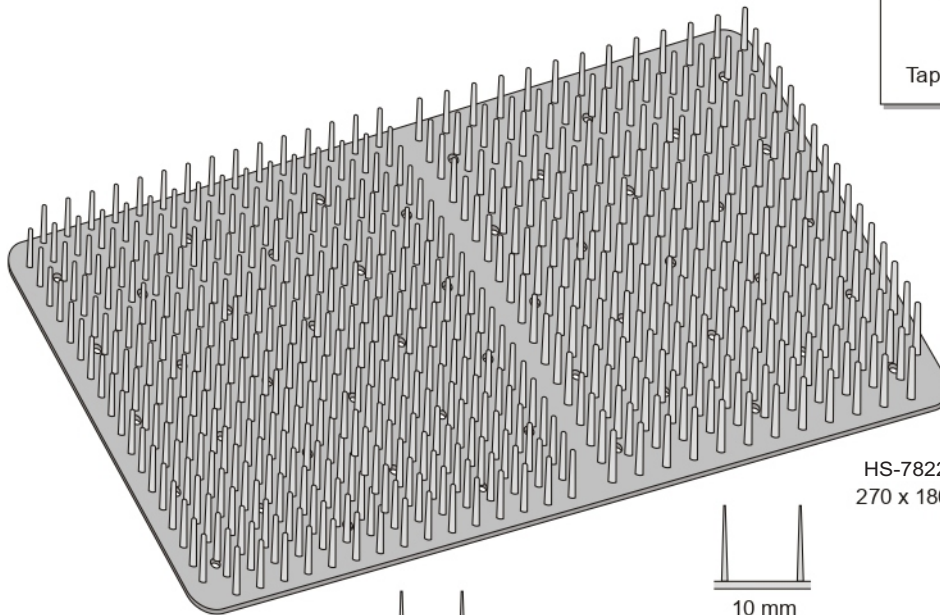
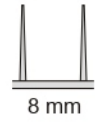
Autoclavabili
 Autoclavable
 Sterilisierbar



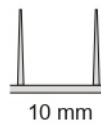
HS-7822-1
 135 x 180 mm



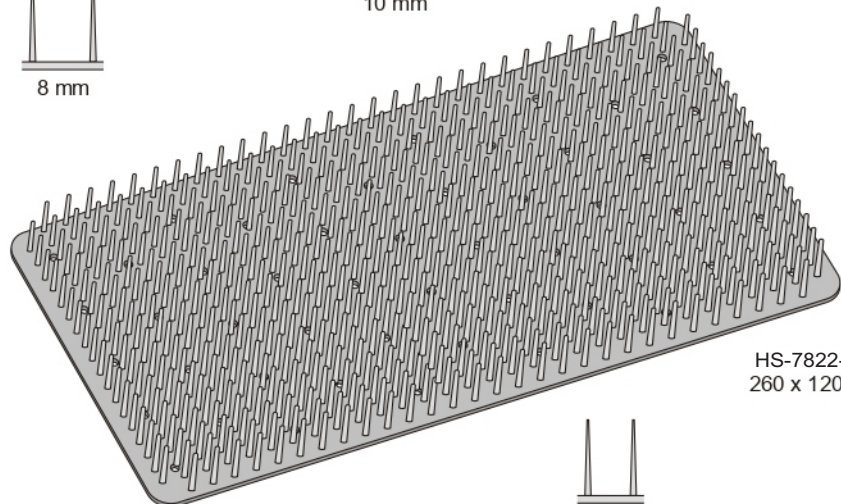
HS-7822-2
 135 x 180 mm



HS-7822-3
 270 x 180 mm



Tappeti in aghi di silicone
 Silikon matte
 Matte en silicone
 Tapis en Silicone
 Tapete en agujas de silicona



HS-7822-4
 260 x 120 mm



Sterilizing Forceps

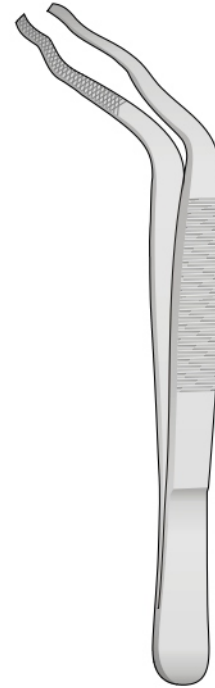
Pinze per prelevare strumenti sterilizzati
 Pinzette zum Entnehmen Sterilisierten Instrumente



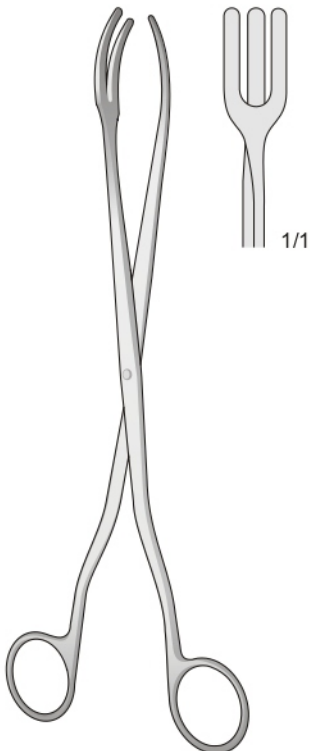
HS-7823
 145 mm



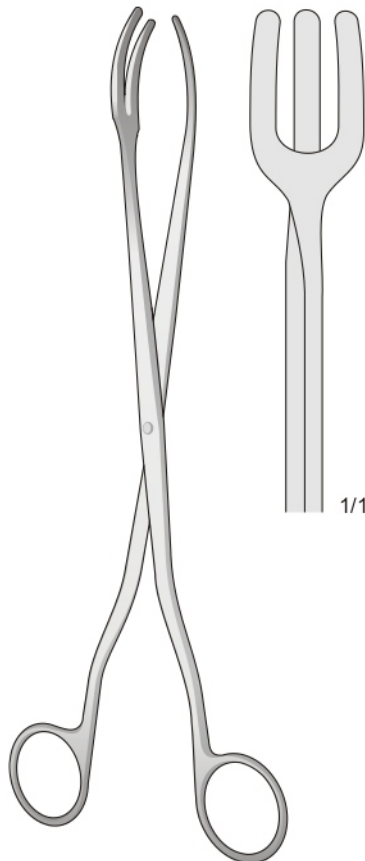
DAVIS
 HS-7824
 160 mm



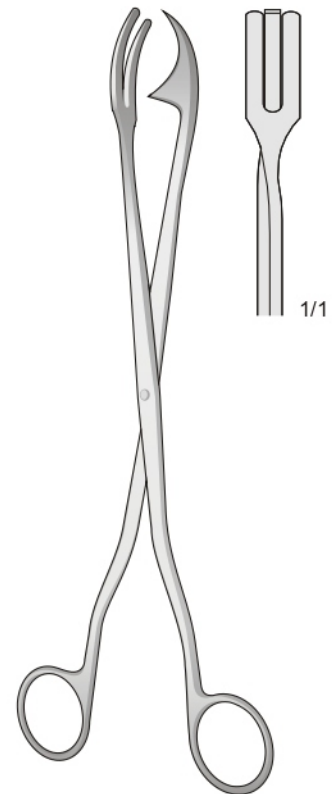
DAVIS
 HS-7825
 200 mm



HS-7826
 200 mm



HS-7827
 300 mm



ROGGE
 HS-7828
 230 mm



Health Fast Surgical

Surgical Manufacturer Company



+92 (342) 880 9017



+92 (342) 880 9017



info@healthfastsurgical.com



www.healthfastsurgical.com



Dogra Khurd, P.O Harrar Sialkot-51310 Pakistan.



ISO
9001:2008

