

*Diagnosis  
Anesthesia*



**Surgical**  
INSTRUMENTS CATALOGUE



**Health Fast Surgical**  
Surgical Manufacturer Company



# Company profile

**HEALTH FAST SURGICAL INSTRUMENTS** aim to introduce high quality Surgical / Dental instruments in the world market, as to continue at its best a renovating process with a broad spectrum in order to innovate for surgeons through latest technology.

Our philosophy is investment in technology, equipment and training of staff enabling them to achieve consistent standards of service and quality according to the customer's expectation. We are committed to satisfy our customers by carrying out systematic activities effectively and efficiently, providing them high quality products at appropriate time and competitive price.

## **Mission**

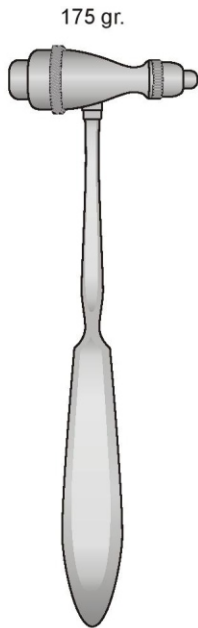
To constantly improve what is essential to human progress by mastering science and technology.

## **Vision**

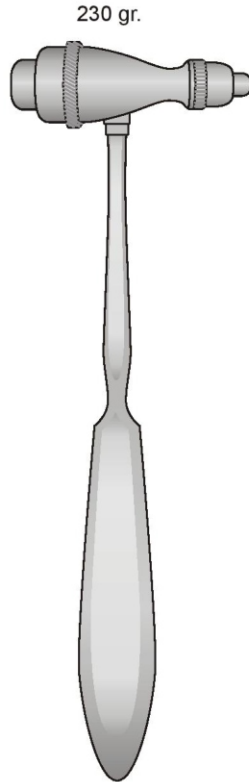
To be the largest, most profitable and most respected surgical instruments supplier in the world.

## **Quality Policy**

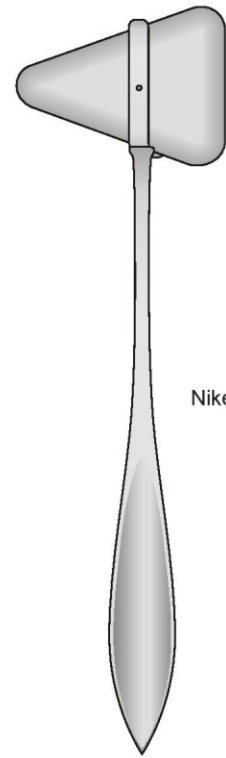
**HEALTH FAST SURGICAL INSTRUMENTS** continuously strive to improve all processes throughout the organizations' facilities to achieve the quality required for our Customer's Satisfaction. We will comply with all regulatory requirements for the products we provide to our Customers and we ensure the continuing effectiveness of our Quality System.



TROEMNER  
 HS-12001  
 140 mm



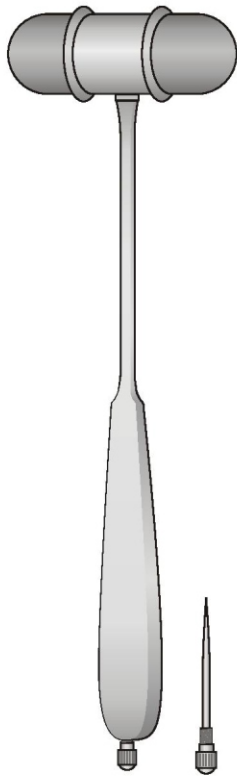
TROEMNER  
 HS-12002  
 240 mm



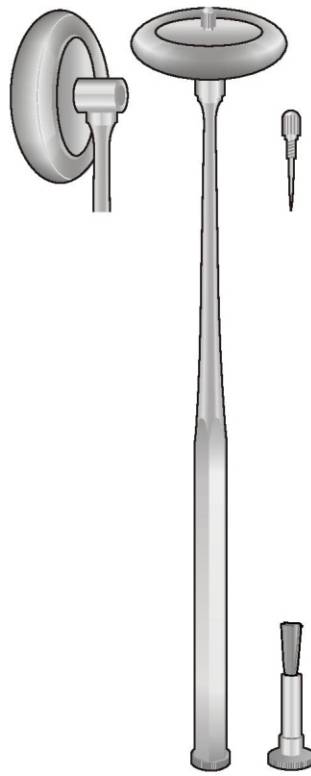
TAYLOR  
 HS-12003  
 200mm

Nikel-Chrom

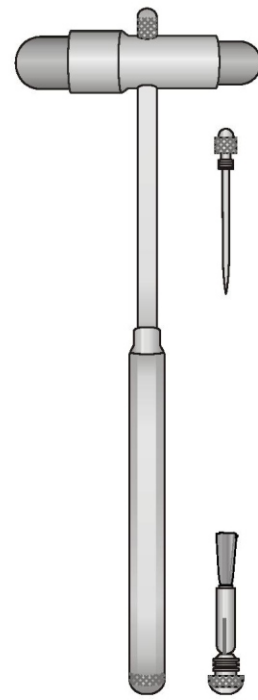
Con ago - With pin  
 Mit nadel - Avec aiguille  
 Con aguja



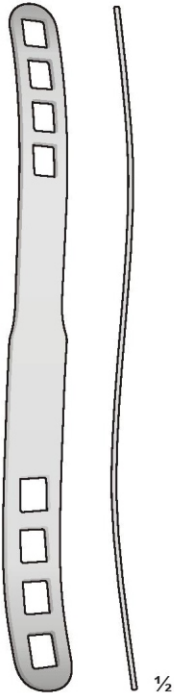
DEJERINE  
 HS-12004  
 200mm



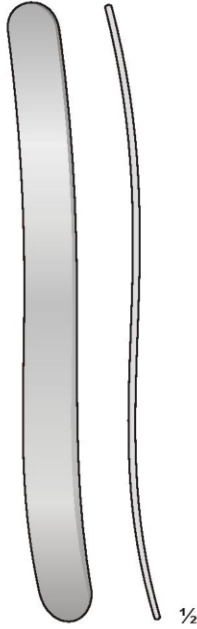
BABINSKY  
 HS-12005  
 255mm



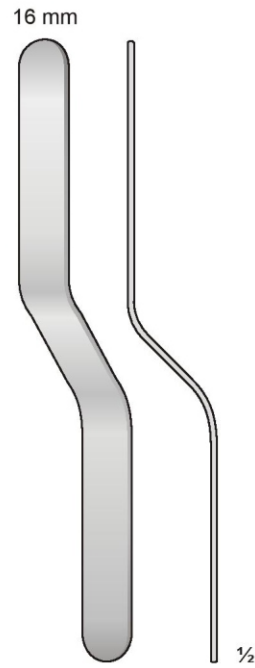
BUCK  
 HS-12006  
 180mm



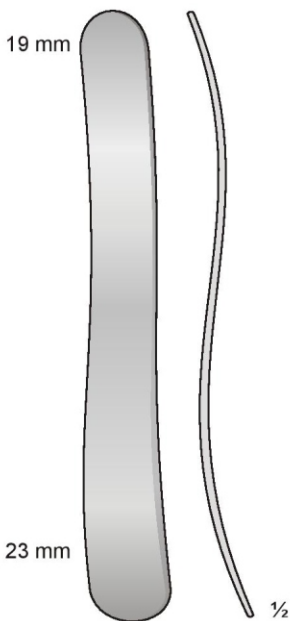
BRUENINGS  
HS-12007  
190 mm



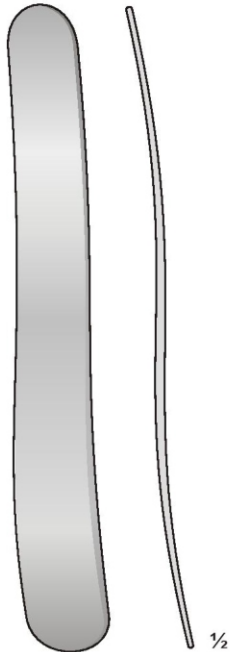
HS-12008  
145 mm



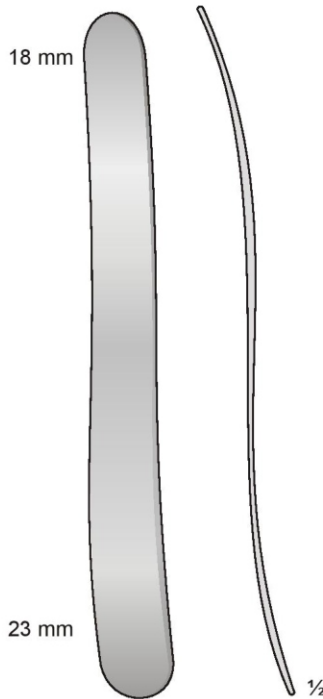
HS-12009  
45 mm



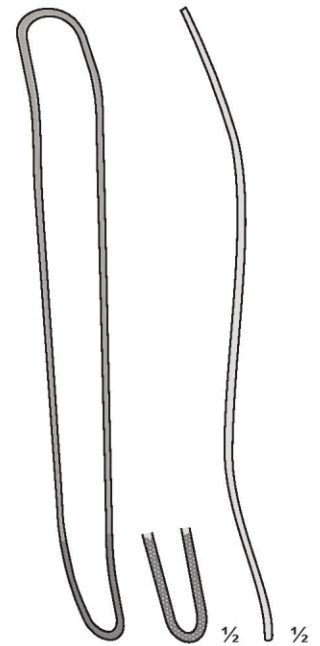
KROENIG  
HS-12010  
150 mm



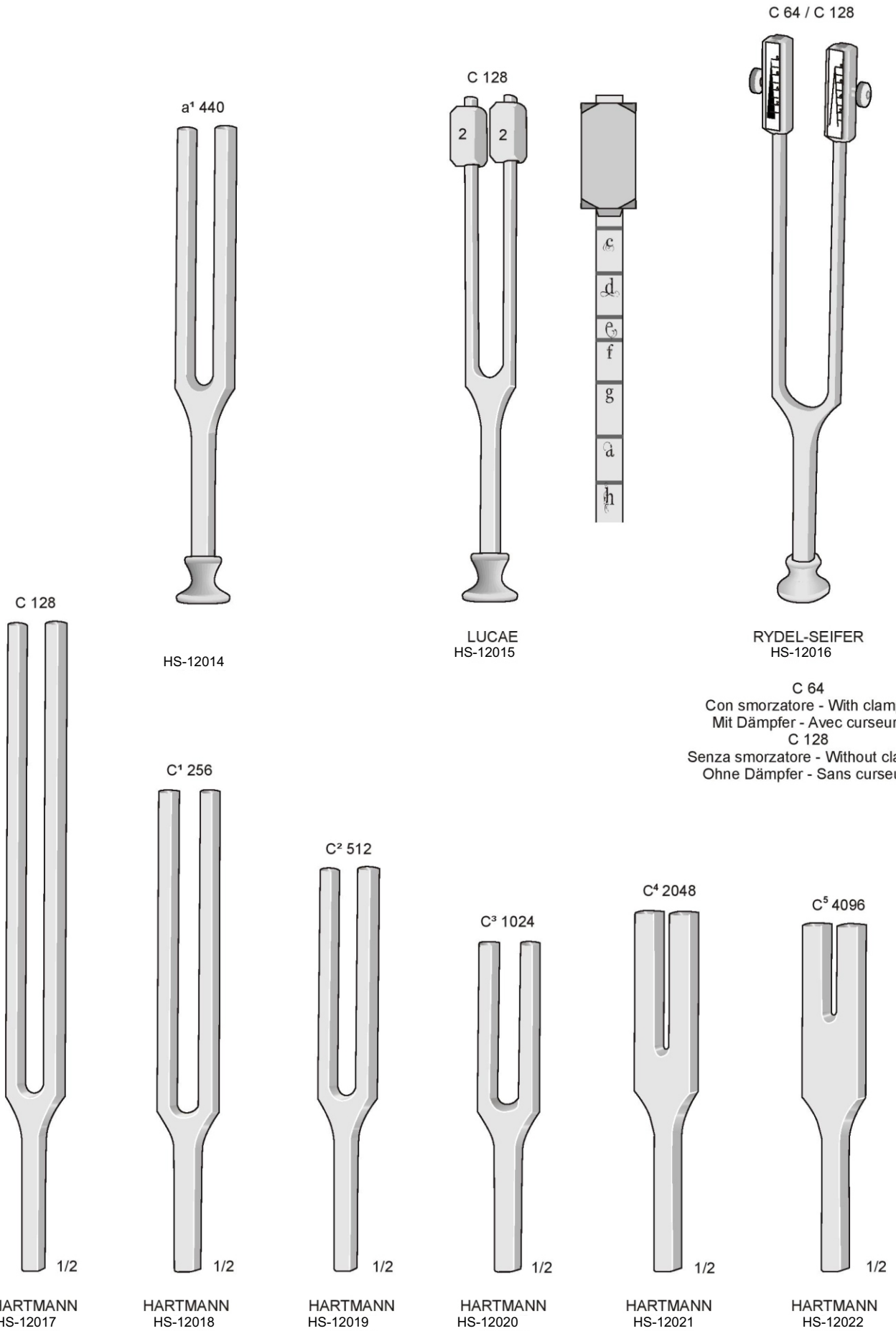
MAYO  
HS-12011  
170 mm

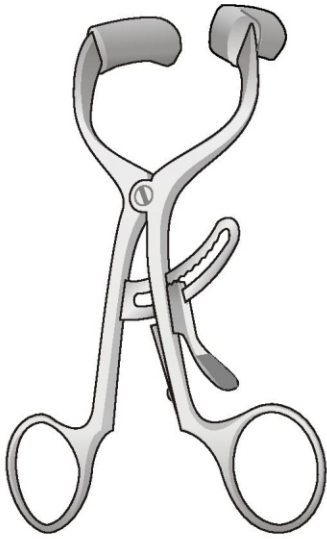


BUCHWALD  
HS-12012  
180 mm

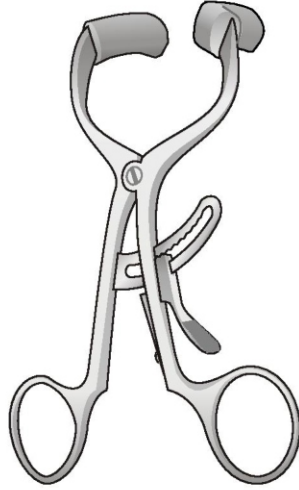


FRENZEL  
HS-12013  
165 mm

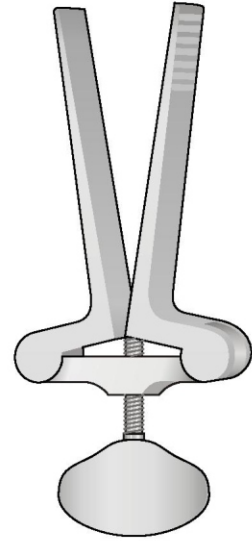




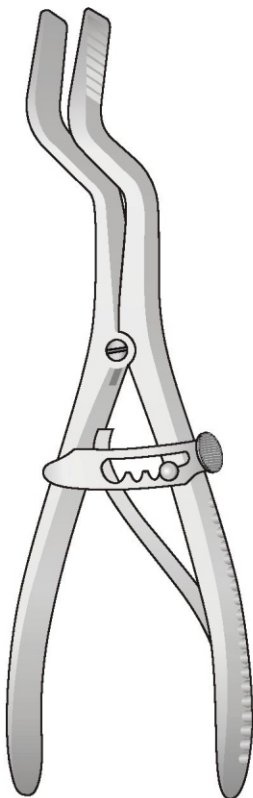
DOYEN-JANSEN  
HS-12023  
140 mm



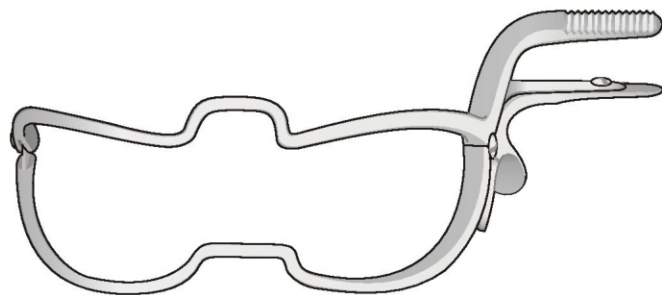
DOYEN-COLLIN  
HS-12024  
120 mm



HEISTER  
HS-12025  
135 mm



ROSER-KÖNIG  
HS-12026  
185 mm




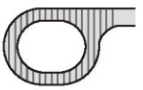
WHITEHEAD-JENNINGS  
HS-12027    90 mm  
HS-12027-1   110 mm  
HS-12027-2   130 mm  
HS-12027-3   150 mm

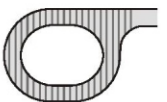
**Tongue Forceps**

Anestesia - Anesthesia  
Anaesthesie - Anesthésie - Anestesia

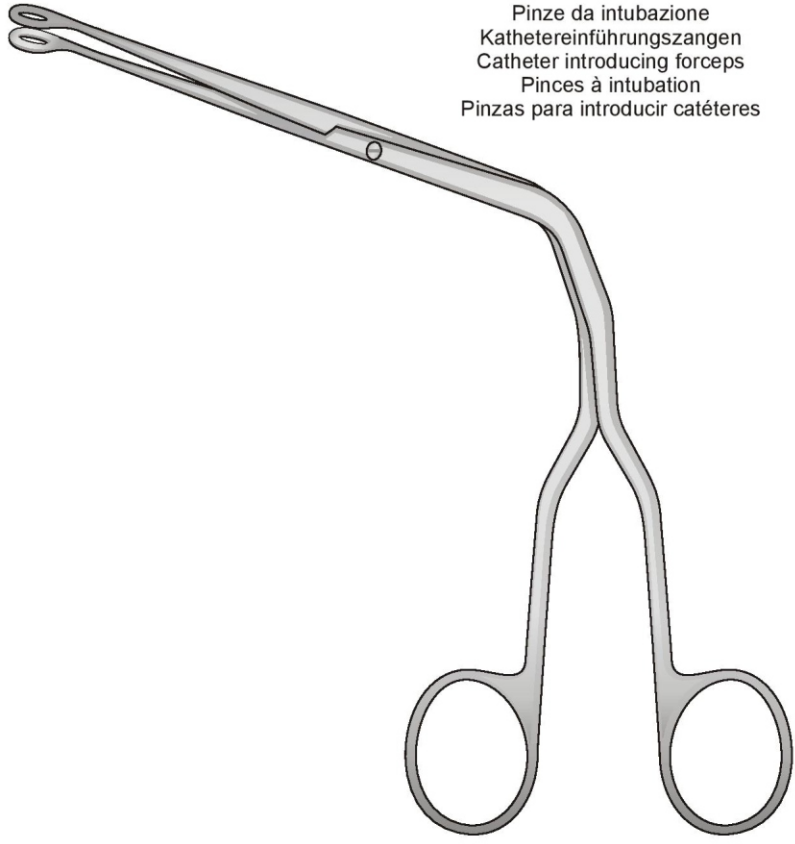
 1/1  
HS-12028-1  
150 mm

 1/1  
HS-12028-2  
200 mm

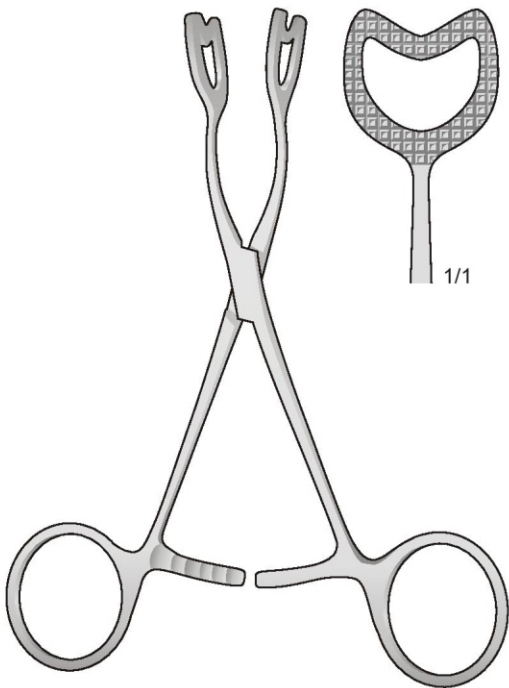
 1/1  
HS-12028-3  
250 mm

 1/1  
HS-12028-4  
250 mm

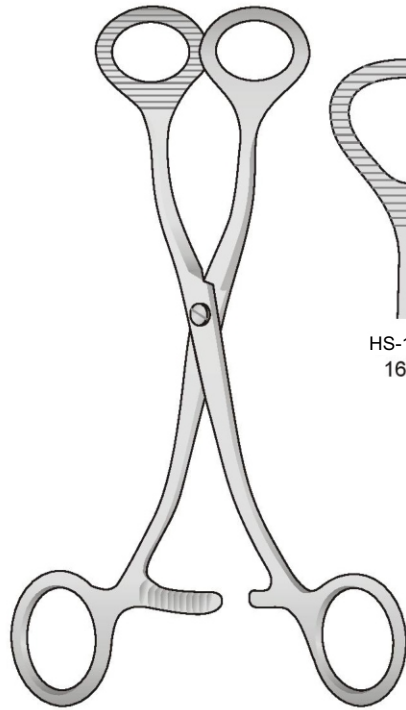
Pinze da intubazione  
Kathetereinführungszangen  
Catheter introducing forceps  
Pinces à intubation  
Pinzas para introducir catéteres



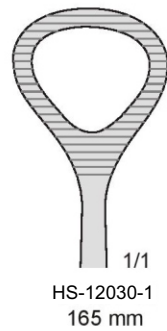
MAGILL  
HS-12028



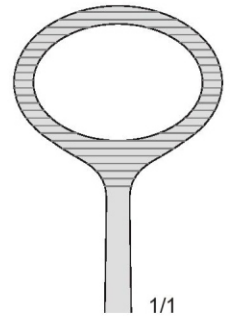
HS-12029  
140 mm



COLLIN  
HS-12030



1/1  
HS-12030-1  
165 mm

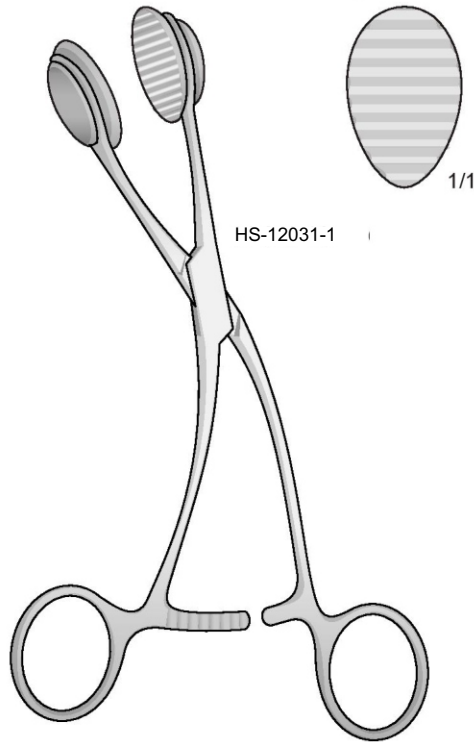


1/1  
HS-12030-2  
170 mm



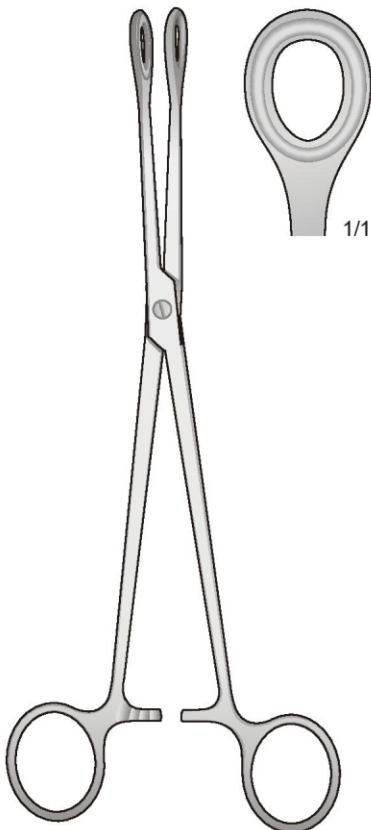
**Tongue Forceps**

Gommini di ricambio 2 pezzi  
1 Pair of rubber pads  
1 Paar ersatzgummi  
1 Paire de mors caoutchouc  
1 Paar placas de caucho



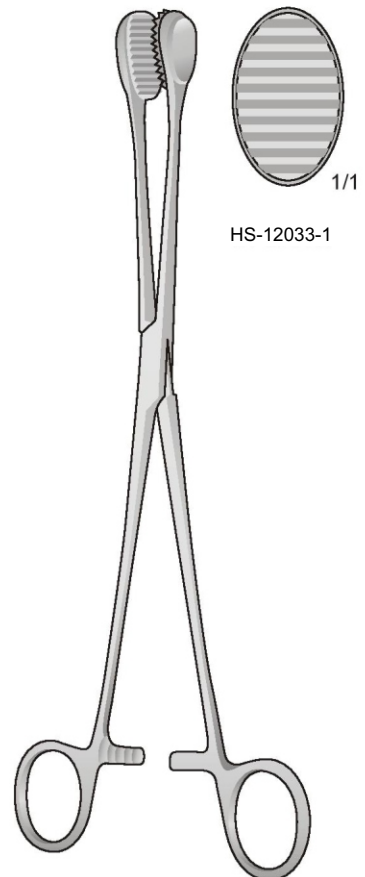
HS-12031-1

Pinza per batuffoli e tamponi  
Cotton swab-Sponge holding forceps  
Tupfer-Schwammzangen  
Pinces à tampons et è ponges  
Pinzas para tampones porta esponjas



HS-12032  
230 mm

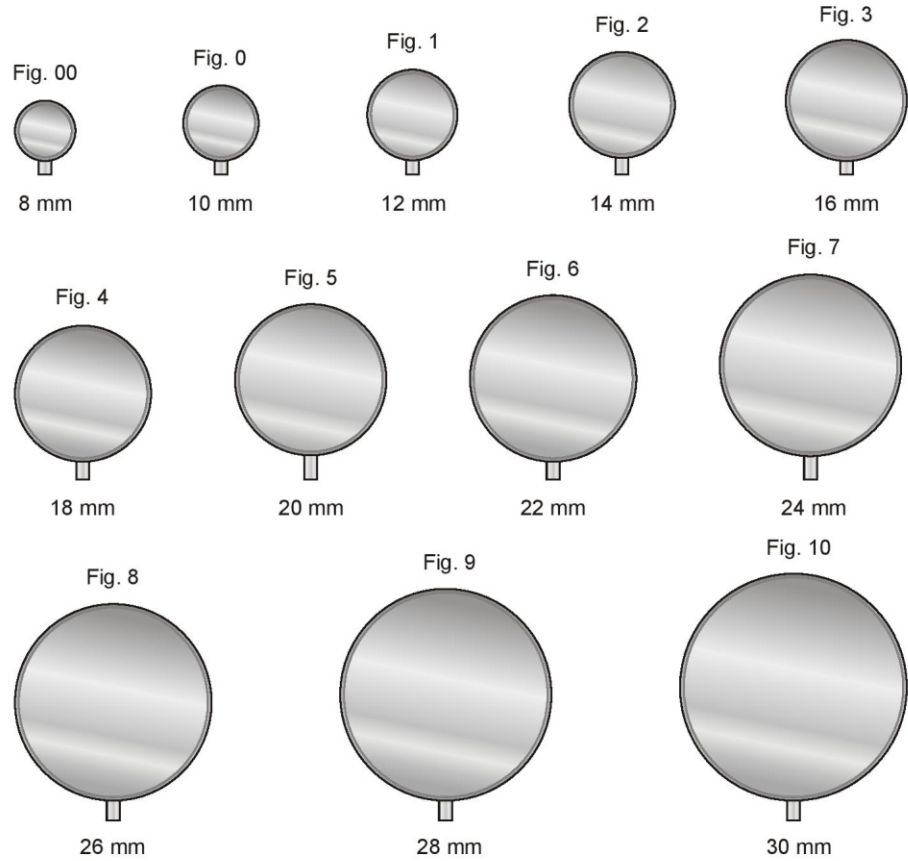
Gommini di ricambio 2 pezzi  
1 Pair of rubber pads  
1 Paar ersatzgummi  
1 Paire de mors caoutchouc  
1 Paar placas de caucho



HS-12033-1

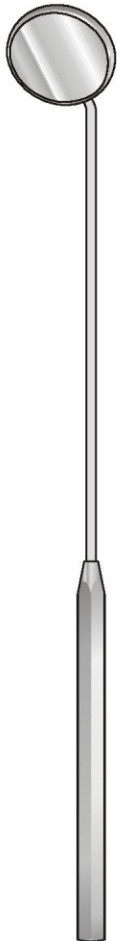
CHILD  
HS-12033  
240 mm





Specchietto laringeo  
con manico esagonale  
Laryngeal mirrors  
with hexagonal handle  
Miroirs laryngiens  
avec manche hexagonal

Inox

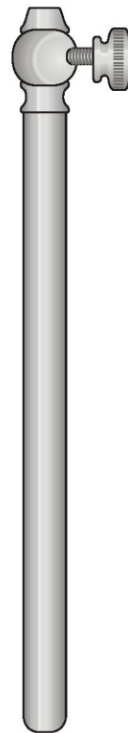


HS-12034  
180 mm

Diametro dello specchio - Diameter of mirrors - Spiegeldurchmesser  
Diamètre des miroirs - Diámetro de los espejos

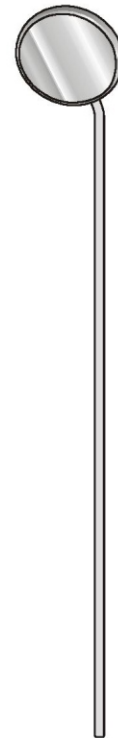
Manico per specchietti  
Mirrors handle  
Spiegelgriff  
Manche à miroir  
Manico para espejos

Nikel-Chrom



HS-12035  
120 mm

Specchietto laringeo  
Laryngeal mirrors  
Kehlkopfspiegel  
Miroirs laryngiens  
Espejos laringeos



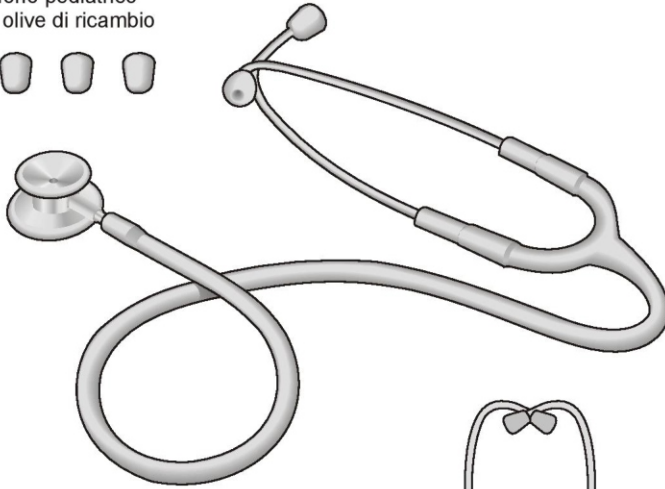
HS-12036  
120 mm

	Fig.
01-370-08	00
01-370-10	0
01-370-12	1
01-370-14	2
01-370-16	3
01-370-18	4
01-370-20	5
01-370-22	6
01-370-24	7
01-370-26	8
01-370-28	9
01-370-30	10

	Fig.
01-390-08	00
01-390-10	0
01-390-12	1
01-390-14	2
01-390-16	3
01-390-18	4
01-390-20	5
01-390-22	6

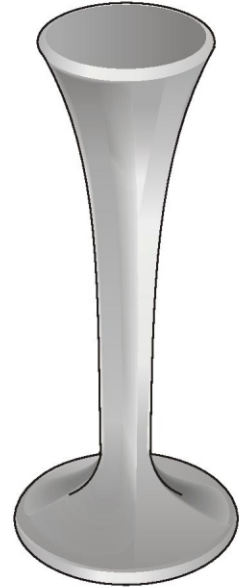


Duofono pediatrico  
Con 4 olive di ricambio



HS-12037

In legno  
Of wood  
Aus Holz  
En bois  
De madera



HS-12038  
145 mm

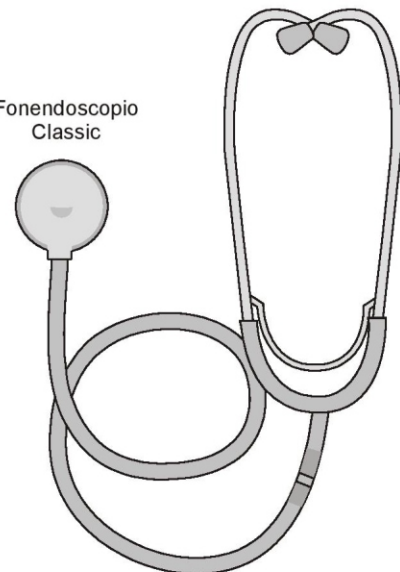
Professional  
Con 4 olive di ricambio



LEVIS - CLASSIC  
HS-12039



Fonendoscopio  
Classic



HS-12041

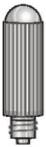


HS-12040

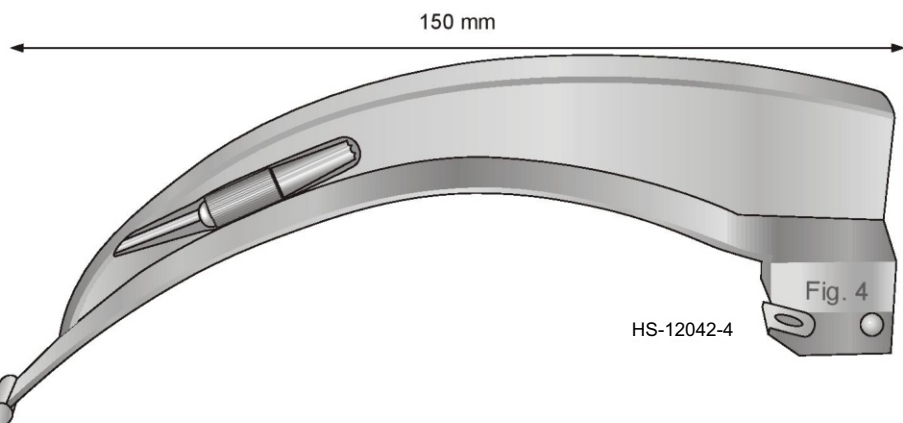
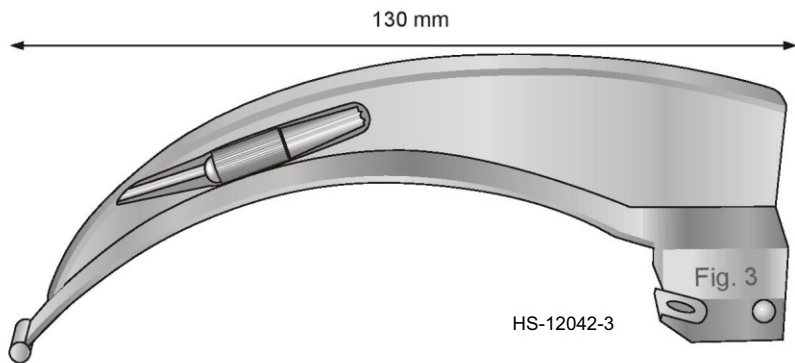
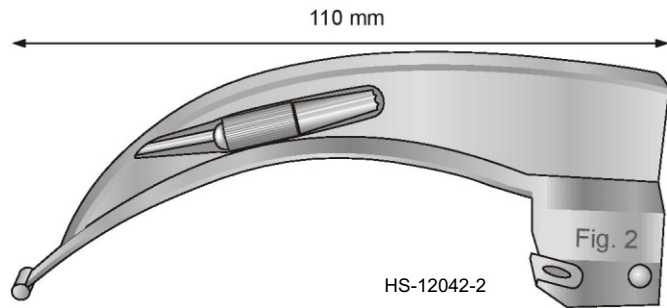
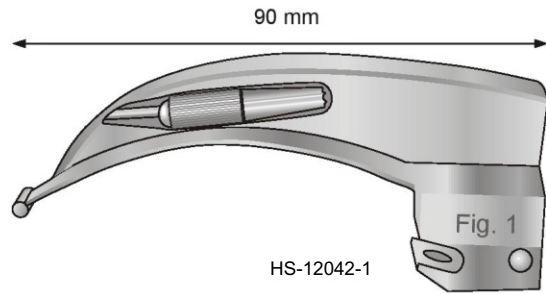
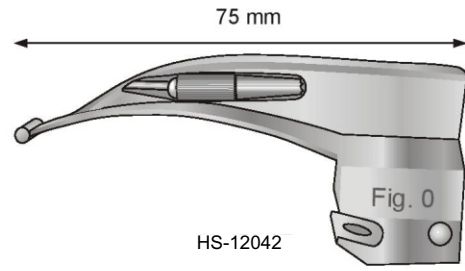
Laringoscopio  
MC INTOSH



**AA-B100**  
2,5 Volt  
300 mA  
Per lama **AA-100**  
For blades **AA-100**  
Für Spatel **AA-100**  
Pour spatules **AA-100**  
Para hojas **AA-100**



**AA-B101**  
2,5 Volt  
300 mA  
Per lame **AA-101 ÷ AA-104**  
For blades **AA-101 ÷ AA-104**  
Für Spatel **AA-101 ÷ AA-104**  
Pour spatules **AA-101 ÷ AA-104**  
Para hojas **AA-101 ÷ AA-104**



Laringoscopio  
**MILLER**



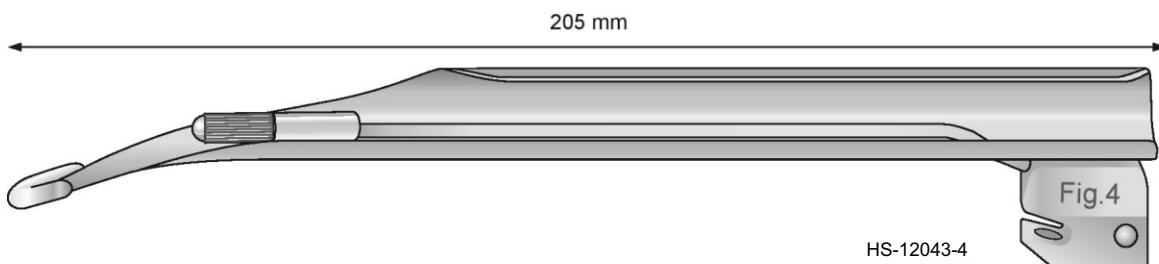
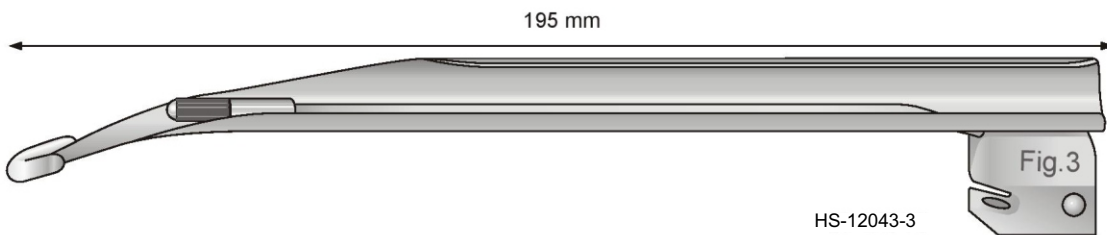
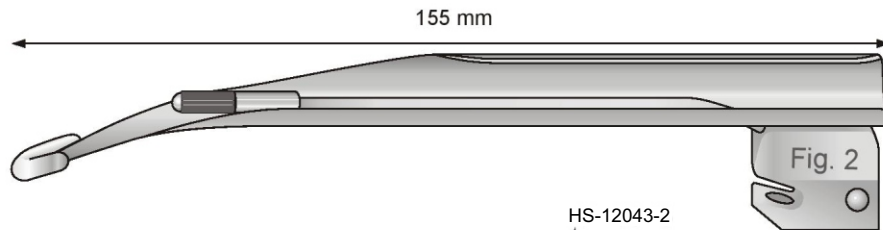
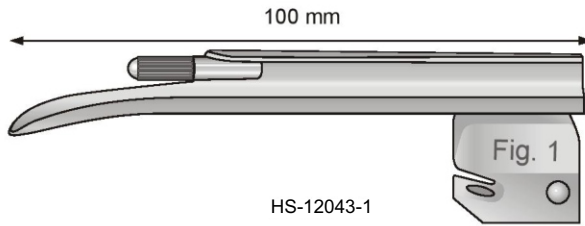
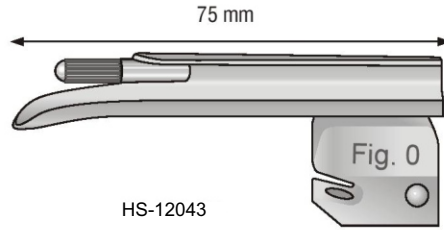
**AA-B100**  
2,5 Volt  
300 mA

Per lama **AA-200 + AA-203**  
For blades **AA-200 + AA-203**  
Für Spatel **AA-200 + AA-203**  
Pour spatules **AA-200 + AA-203**  
Para hojas **AA-200 + AA-203**



**AA-B101**  
2,5 Volt  
300 mA

Per lama **AA-204**  
For blades **AA-204**  
Für Spatel **AA-204**  
Pour spatules **AA-204**  
Para hojas **AA-204**





Laringoscopio  
**NEGUS - GUEDEL**



**AA-B100**

2,5 Volt  
300 mA

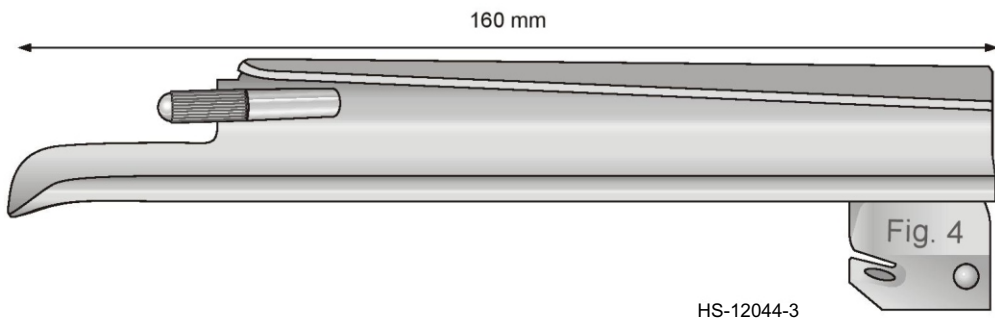
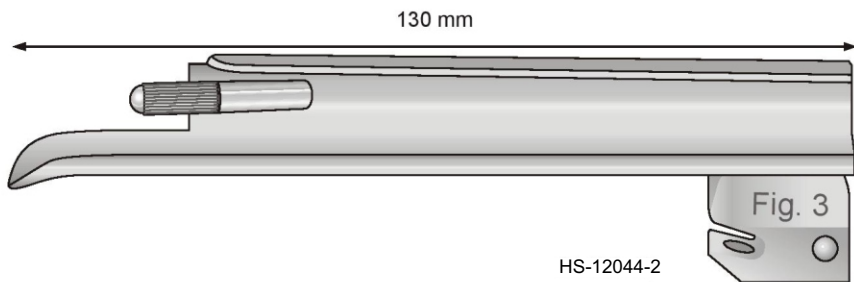
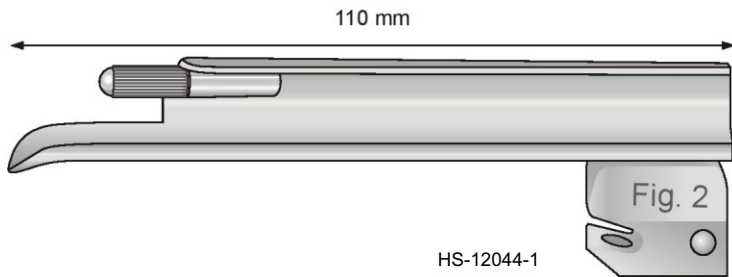
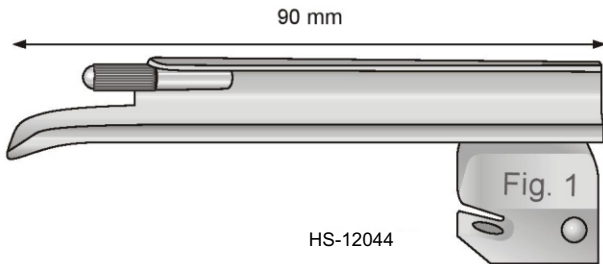
Per lama **AA-401**  
For blades **AA-401**  
Für Spatel **AA-401**  
Pour spatules **AA-401**  
Para hojas **AA-401**



**AA-B101**

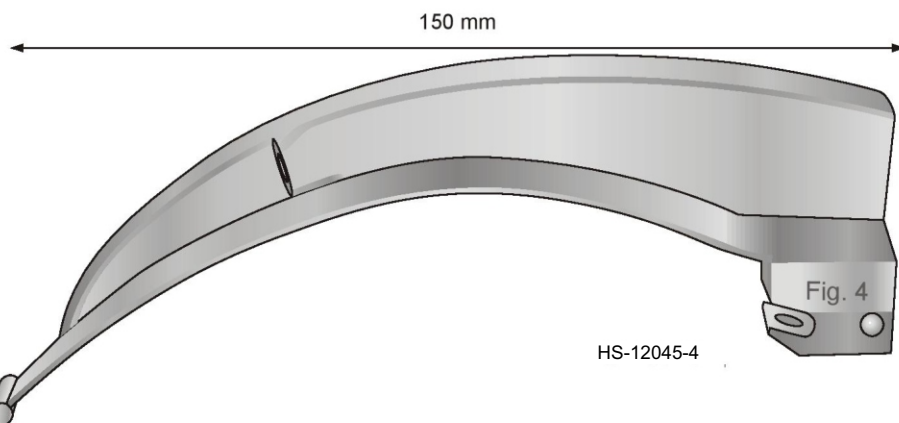
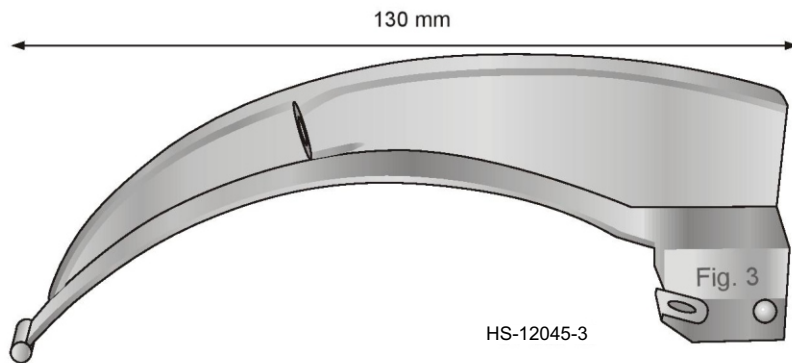
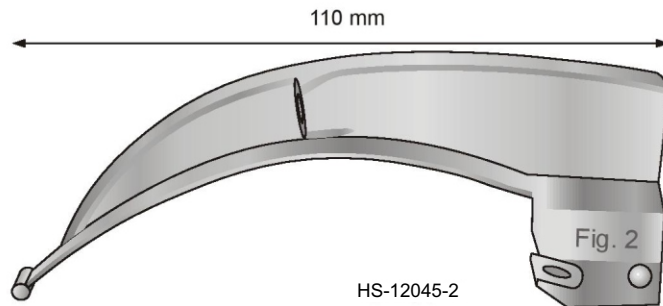
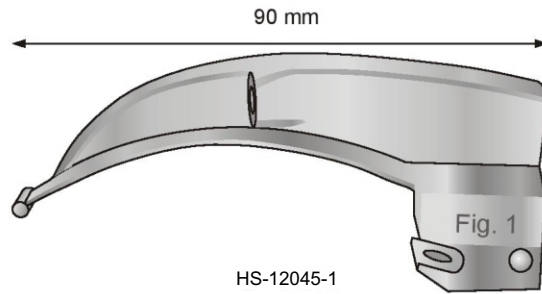
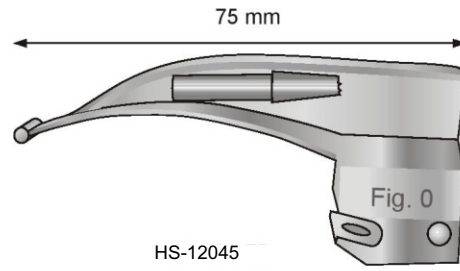
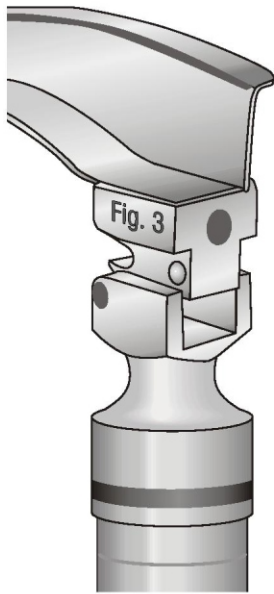
2,5 Volt  
300 mA

Per lame **AA-402 ÷ AA-404**  
For blades **AA-402 ÷ AA-404**  
Für Spatel **AA-402 ÷ AA-404**  
Pour spatules **AA-402 ÷ AA-404**  
Para hojas **AA-402 ÷ AA-404**



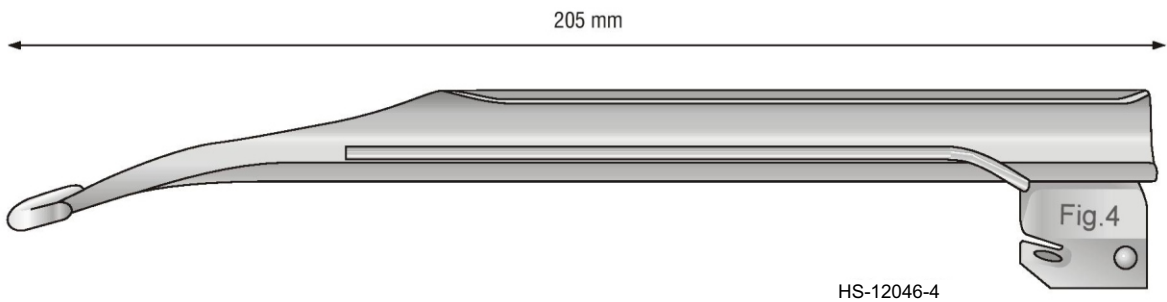
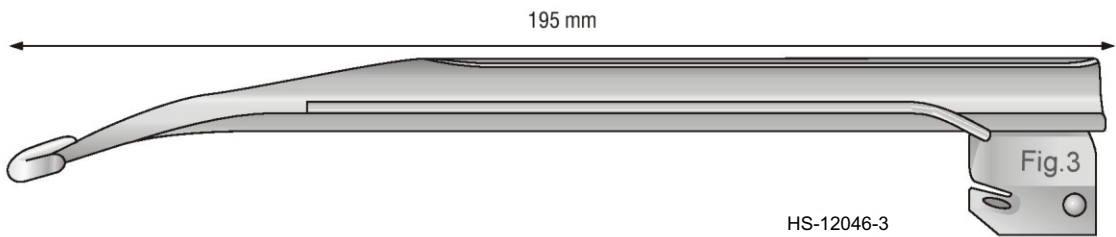
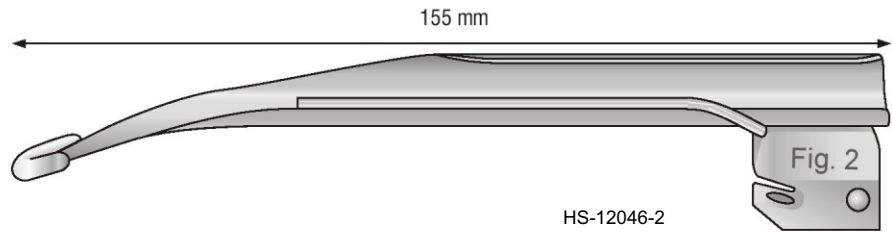
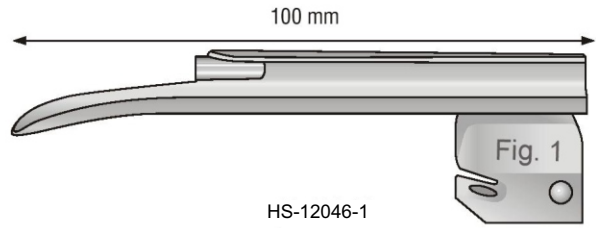
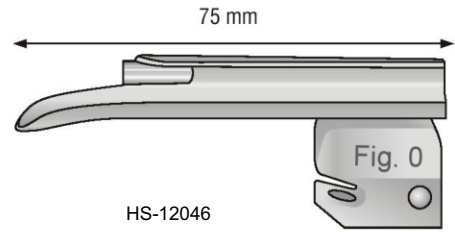
Laringoscopia  
**MC INTOSH**

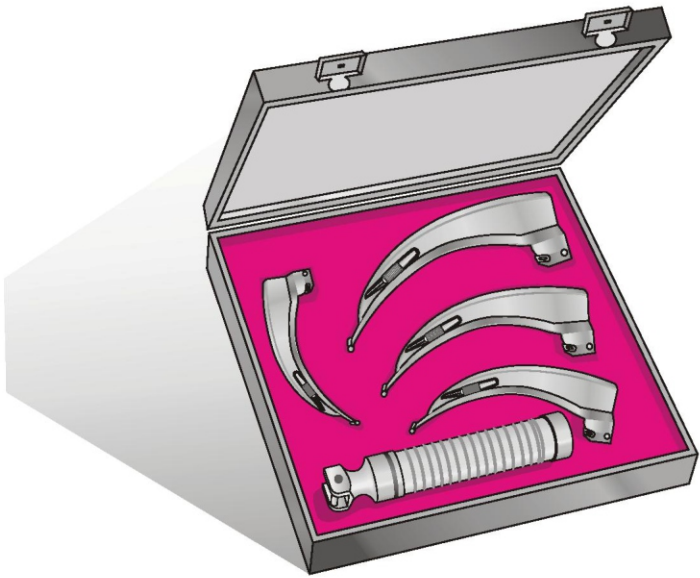
Fibre ottiche  
 Fiberoptic



Laringoscopio  
**MILLER**

Fibre ottiche  
Fiberoptic

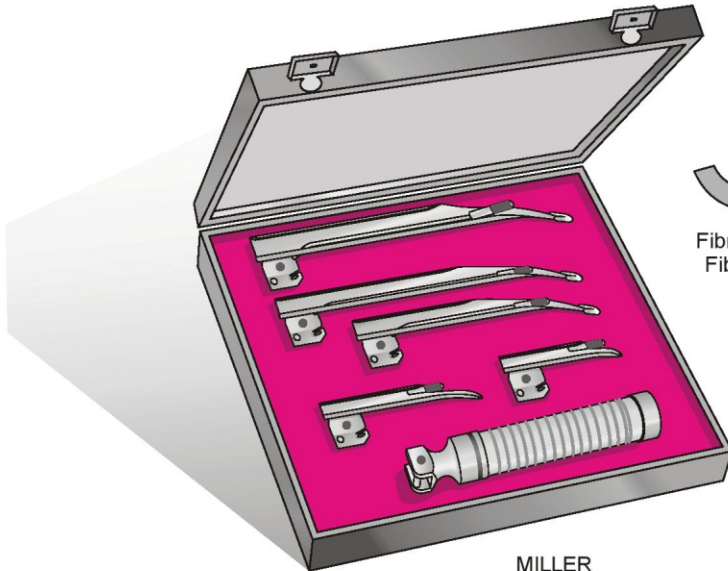




**Mc INTOSH**  
HS-12047-1 - Set 3 lame  
HS-12047-2 - Set 4 lame  
HS-12047-3 - Set 5 lame

**MILLER**  
HS-12048-1 - Set 3 lame  
HS-12048-2 - Set 4 lame  
HS-12048-3 - Set 5 lame

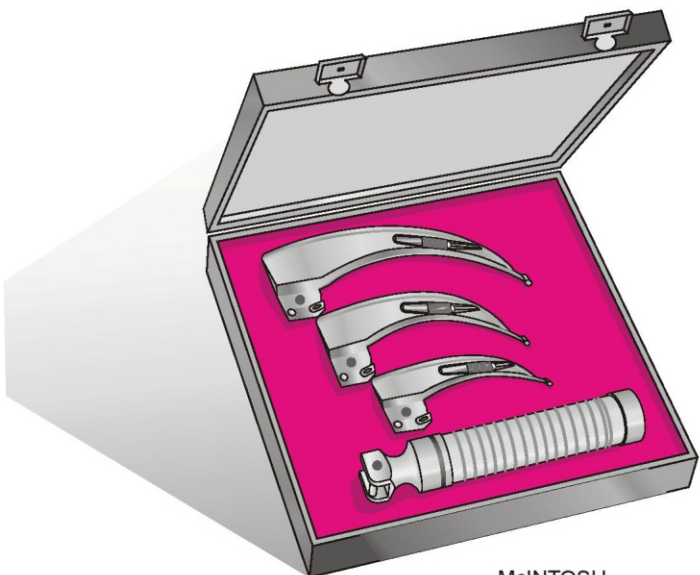
**NEGUS-GUEDEL**  
HS-12049-1 - Set 3 lame  
HS-12049-2 - Set 4 lame



Fibre ottiche  
Fiber optic

**MILLER**  
01-530

**MILLER**  
**Fibre ottiche**  
HS-12050-1 - Set 3 lame  
HS-12050-2 - Set 4 lame  
HS-12050-3 - Set 5 lame

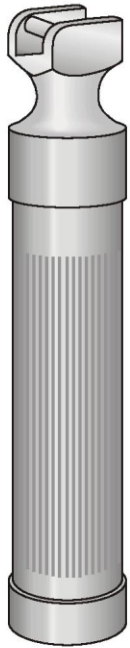


Fibre ottiche  
Fiber optic

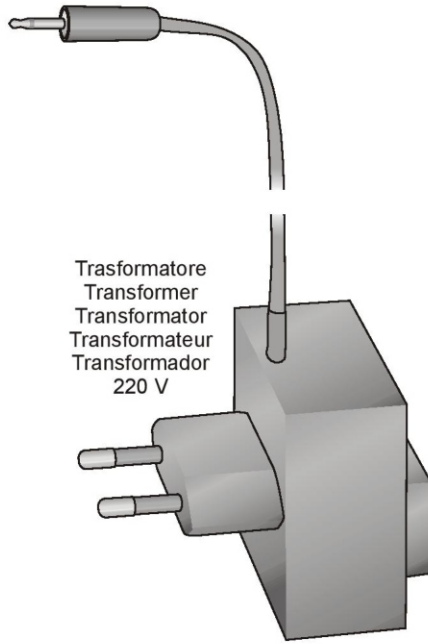
**McINTOSH**  
01-540

**Mc INTOSH**  
**Fibre ottiche**  
HS-12051-1 - Set 3 lame  
HS-12051-2 - Set 4 lame  
HS-12051-3 - Set 5 lame



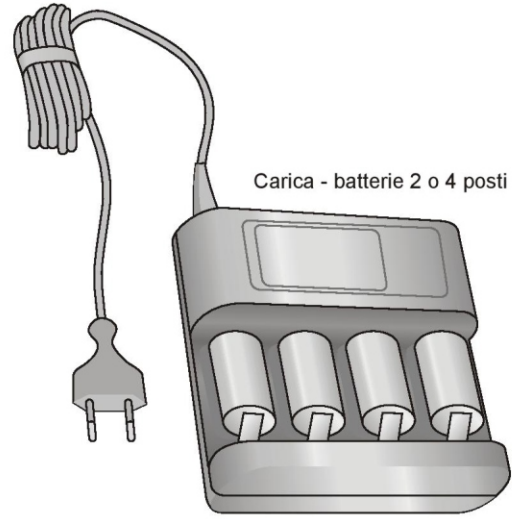


HS-12052-1  
Ø 30 mm



Trasformatore  
Transformer  
Transformator  
Transformateur  
Transformador  
220 V

HS-12053-1



Carica - batterie 2 o 4 posti

HS-12054-1



HS-12055-1  
640 mA



HS-12055-2  
2,5Volt  
300 mA



HS-12055-3  
2,5Volt  
300 mA

Lampade alogene - Halogen lamp  
Halogenlampe - Lampe halogène - Lämpara Houlógeno



HS-12056  
Ø 30 mm

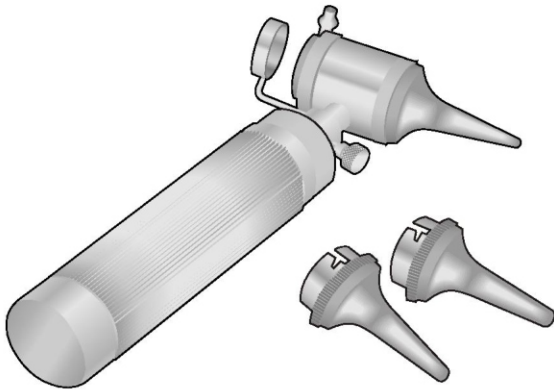


HS-12057  
Ø 18 mm

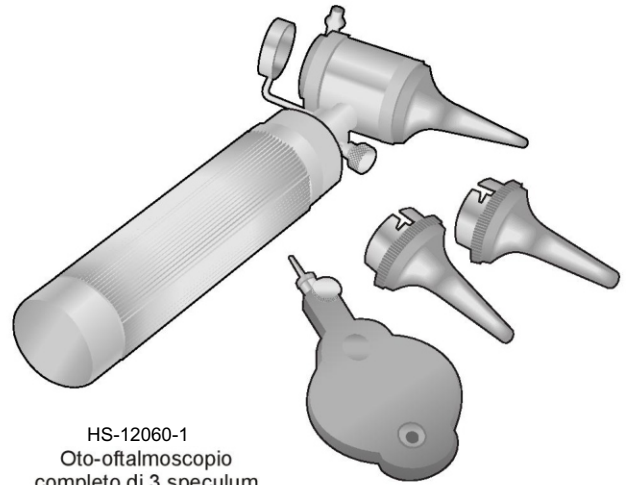
Fibre ottiche  
Fiber optic



HS-12058  
Ø 30 mm



HS-12059-1  
Otoscopio  
completo di 3 speculum  
e scatola



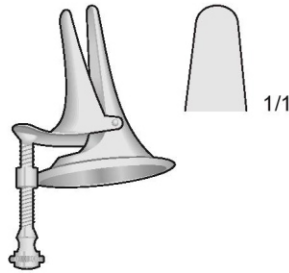
HS-12060-1  
Oto-oftalmoscopio  
completo di 3 speculum

Speculum in Nylon

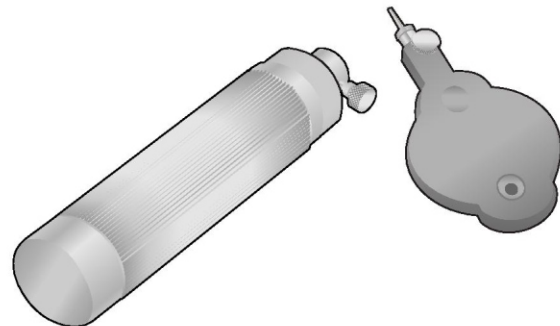


- # 1 - Ø 3,0 mm
- # 2 - Ø 4,5 mm
- # 3 - Ø 5,5 mm

HS-12061-1  
Serie 3 pezzi



DUPLAY  
HS-12062-1

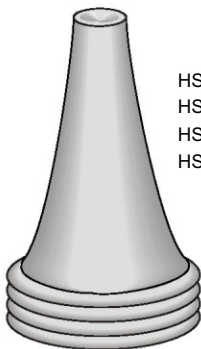


HS-12063-1  
Oftalmoscopio



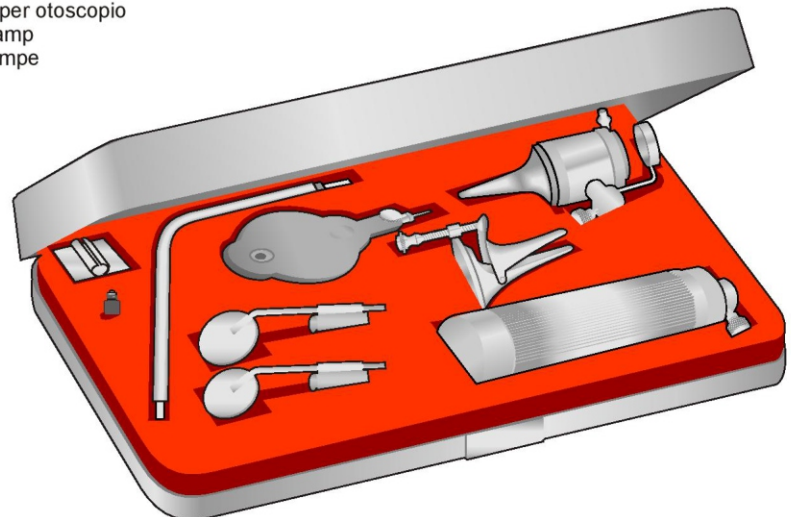
HS-12064-1  
Lampadina per otoscopio  
Lamp  
Lampe

Speculum per adulti



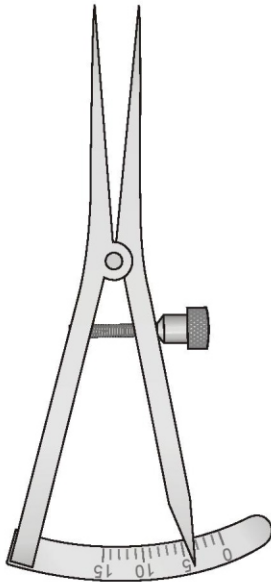
- HS-12065-1 - Ø 4,5 mm
- HS-12065-2 - Ø 5,5 mm
- HS-12065-3 - Ø 6,5 mm
- HS-12065-4 - Ø 7,5 mm

HARTMANN  
HS-12065-1  
Set 4 pezzi



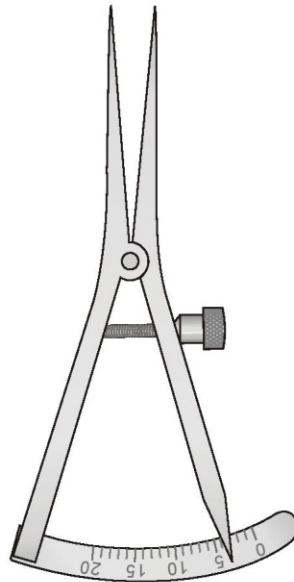
HS-12066-1  
Set oto-oftalmoscopio-speculum nasale  
e 2 specchietti laringei

Campo di misura: 0 - 15 mm  
Measuring range: 0 - 15 mm  
Meßbereich: 0 - 15 mm  
Etendue de mesure: 0 - 15 mm  
Alcance de medición: 0 - 15 mm



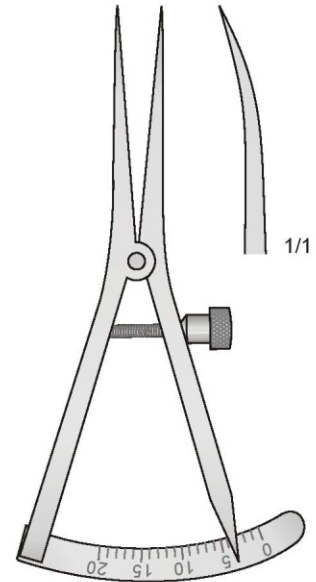
CASTROVIEJO  
HS-12067-1  
90 mm

Campo di misura: 0 - 20 mm  
Measuring range: 0 - 20 mm  
Meßbereich: 0 - 20 mm  
Etendue de mesure: 0 - 20 mm  
Alcance de medición: 0 - 20 mm



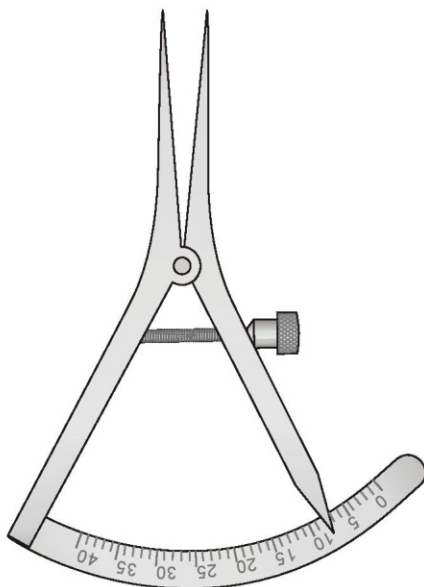
CASTROVIEJO  
HS-12067-2  
90 mm

Campo di misura: 0 - 20 mm  
Measuring range: 0 - 20 mm  
Meßbereich: 0 - 20 mm  
Etendue de mesure: 0 - 20 mm  
Alcance de medición: 0 - 20 mm



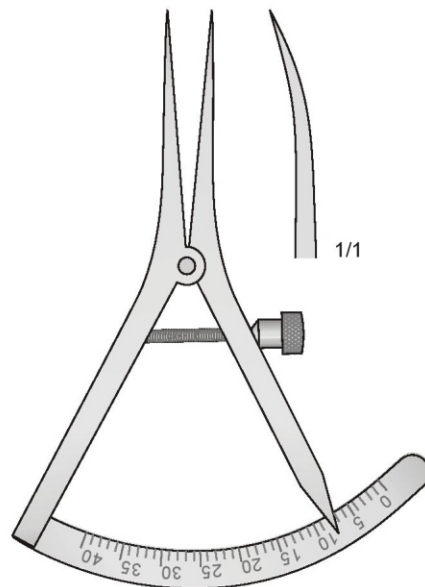
CASTROVIEJO  
HS-12068-1  
90 mm

Campo di misura: 0 - 40 mm  
Measuring range: 0 - 40 mm  
Meßbereich: 0 - 40 mm  
Etendue de mesure: 0 - 40 mm  
Alcance de medición: 0 - 40 mm



CASTROVIEJO  
HS-12069-1  
90 mm

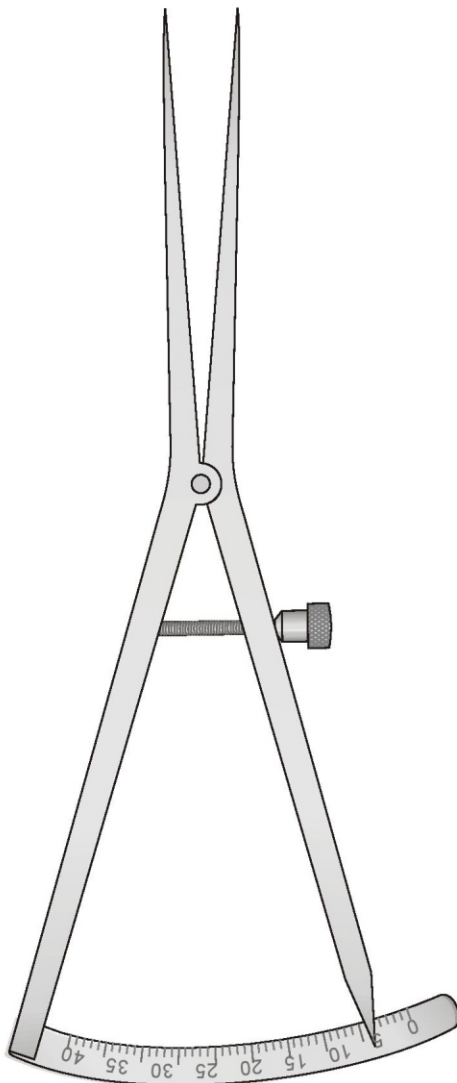
Campo di misura: 0 - 40 mm  
Measuring range: 0 - 40 mm  
Meßbereich: 0 - 40 mm  
Etendue de mesure: 0 - 40 mm  
Alcance de medición: 0 - 40 mm



CASTROVIEJO  
HS-12070-1  
90 mm

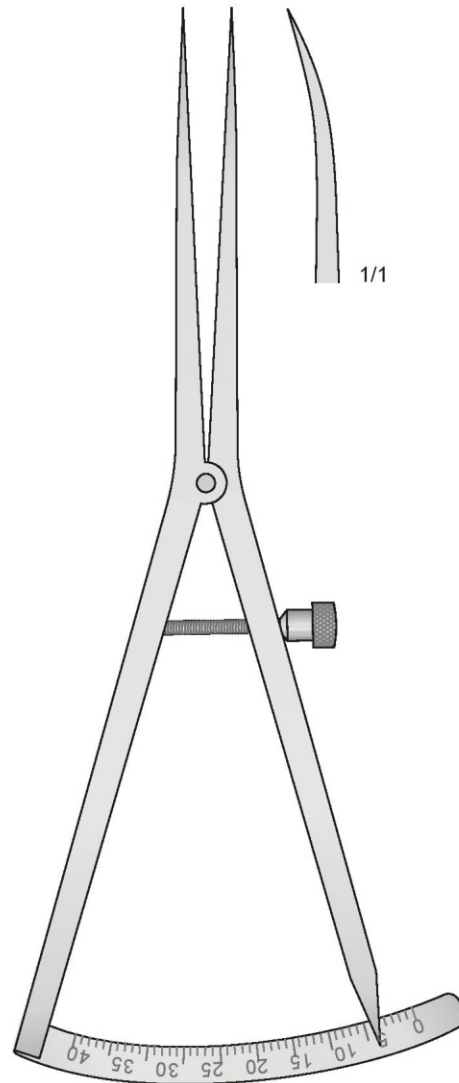


Campo di misura: 0 - 40 mm  
Measuring range: 0 - 40 mm  
Meßbereich: 0 - 40 mm  
Etendue de mesure: 0 - 40 mm  
Alcance de medición: 0 - 40 mm



CASTROVIEJO  
HS-12071-1  
170 mm

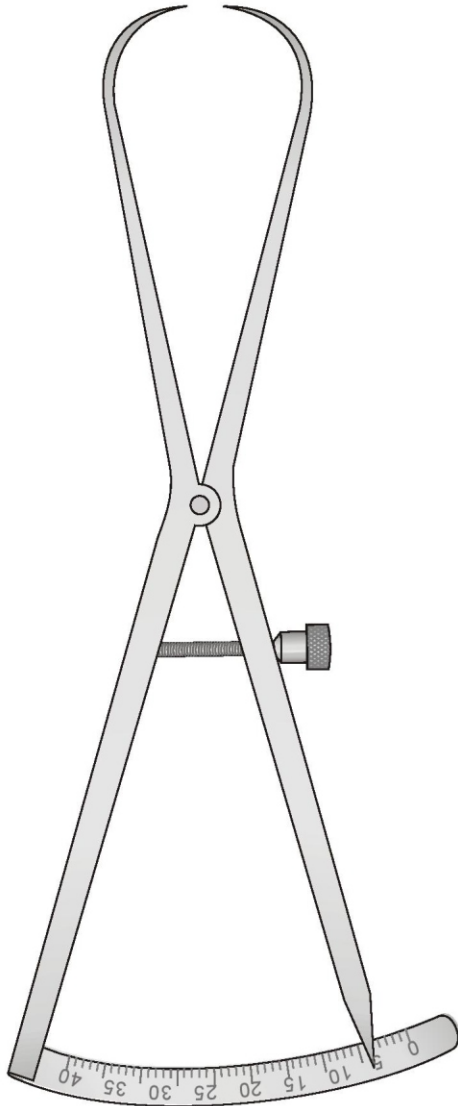
Campo di misura: 0 - 40 mm  
Measuring range: 0 - 40 mm  
Meßbereich: 0 - 40 mm  
Etendue de mesure: 0 - 40 mm  
Alcance de medición: 0 - 40 mm



CASTROVIEJO  
HS-12072-1  
170 mm

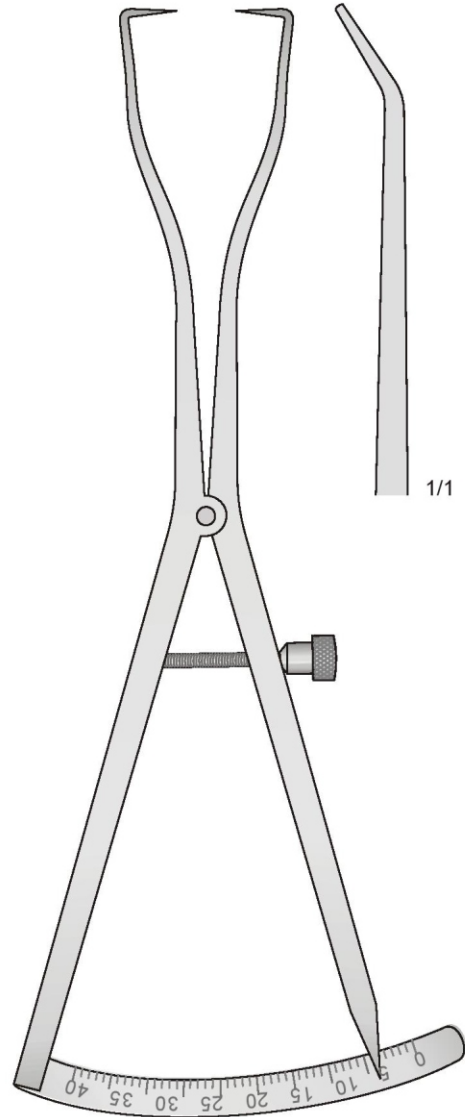


Campo di misura: 0 - 40 mm  
Measuring range: 0 - 40 mm  
Meßbereich: 0 - 40 mm  
Etendue de mesure: 0 - 40 mm  
Alcance de medición: 0 - 40 mm



CASTROVIEJO  
HS-12073-1  
170 mm

Campo di misura: 0 - 40 mm  
Measuring range: 0 - 40 mm  
Meßbereich: 0 - 40 mm  
Etendue de mesure: 0 - 40 mm  
Alcance de medición: 0 - 40 mm



CASTROVIEJO  
HS-12074-1  
170 mm

Campo di misura: 0 - 80 mm  
Measuring range: 0 - 80 mm  
Meßbereich: 0 - 80 mm  
Etendue de mesure: 0 - 80 mm  
Alcance de medición: 0 - 80 mm

Campo di misura: 0 - 80 mm  
Measuring range: 0 - 80 mm  
Meßbereich: 0 - 80 mm  
Etendue de mesure: 0 - 80 mm  
Alcance de medición: 0 - 80 mm

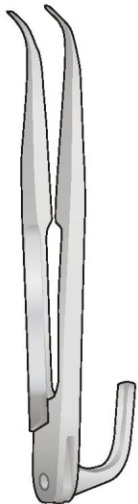


HS-12075  
125 mm

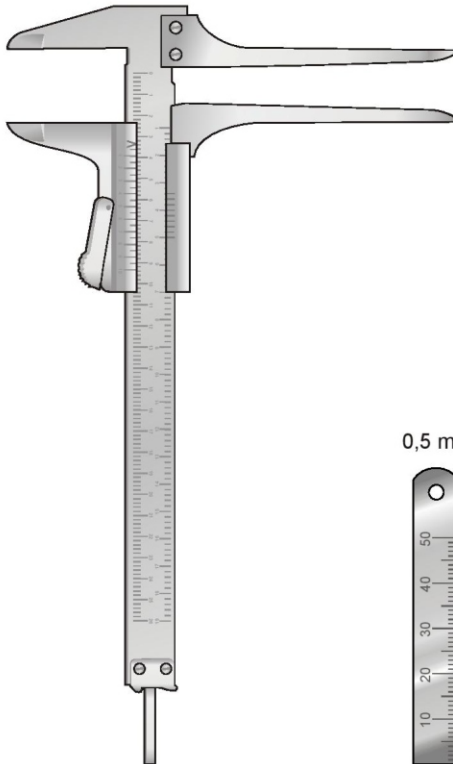


HS-12076  
120 mm

Campo di misura: 180 mm - Measuring range: 180 mm  
Meßbereich: 180 mm - Etendue de mesure: 180 mm - Alcance de medición: 180 mm



ZIELINSKY  
HS-12077  
110 mm



CASPAR  
HS-12078



HS-12079  
50 mm



HS-12079-1  
120 mm



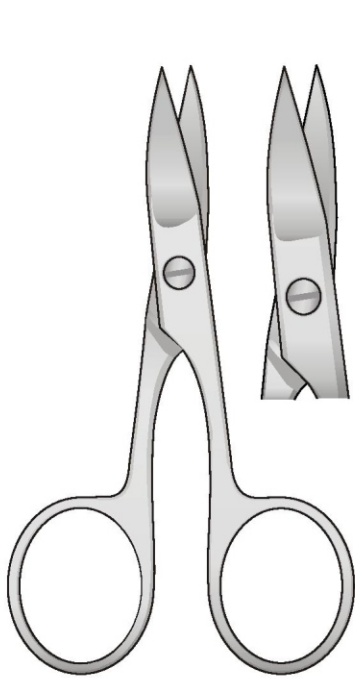
HS-12079-2  
150 mm



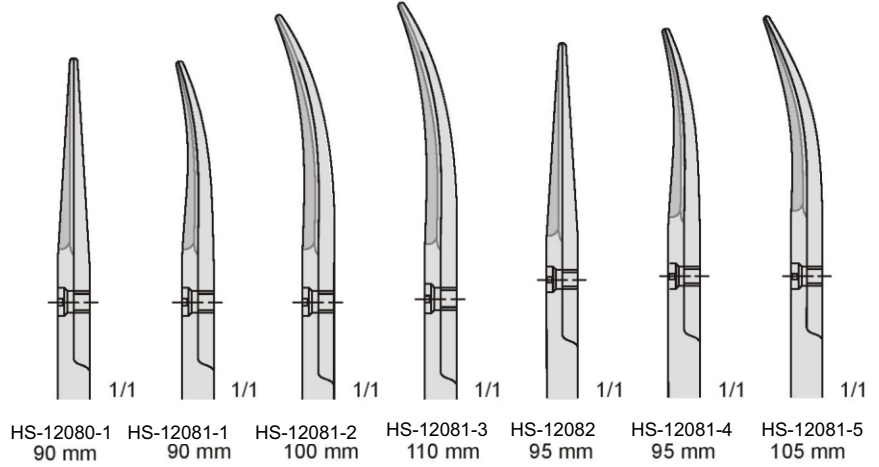
HS-12079-3  
300 mm



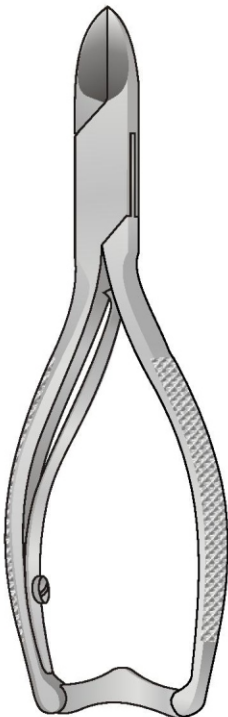
*Preparation Nail Scissors*



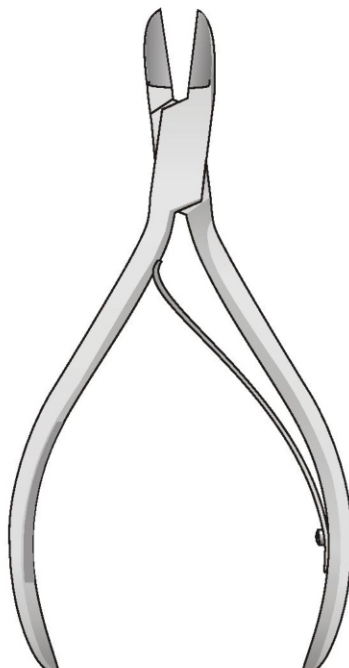
HS-12080



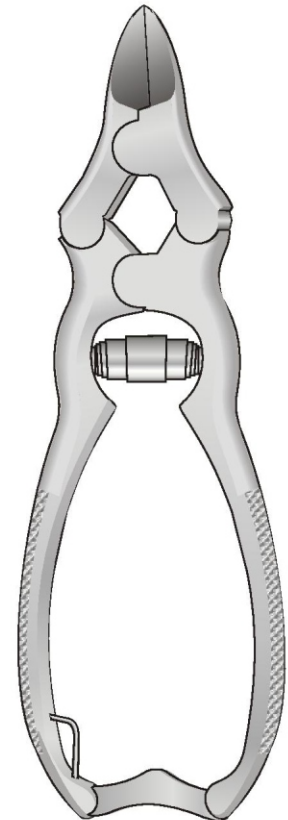
Tronchesi per unghie  
Nail cutters  
Nagelzangen  
Pince à ongles  
Pinzas para uña



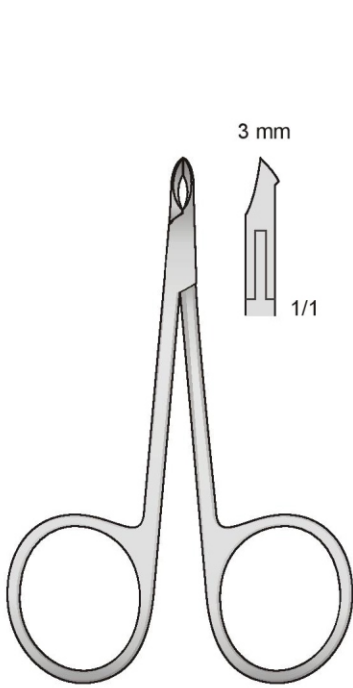
HS-12083  
135 mm



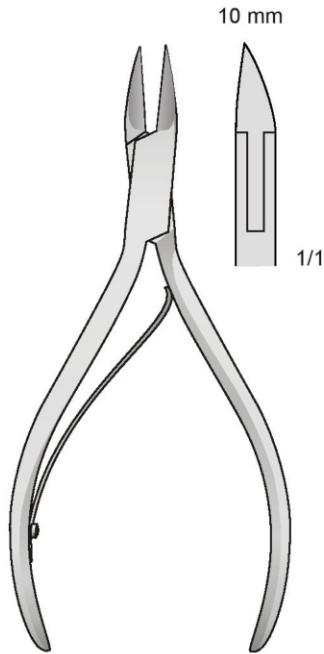
HS-12084  
120 mm



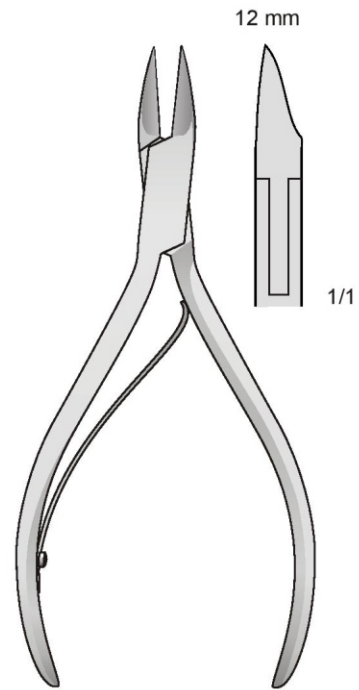
HS-12085  
155 mm



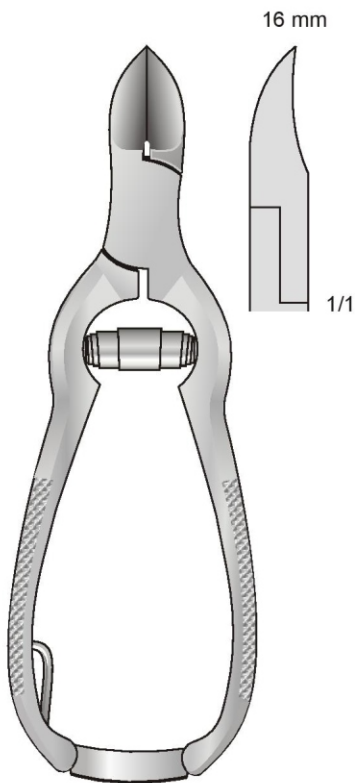
HS-12086  
85 mm



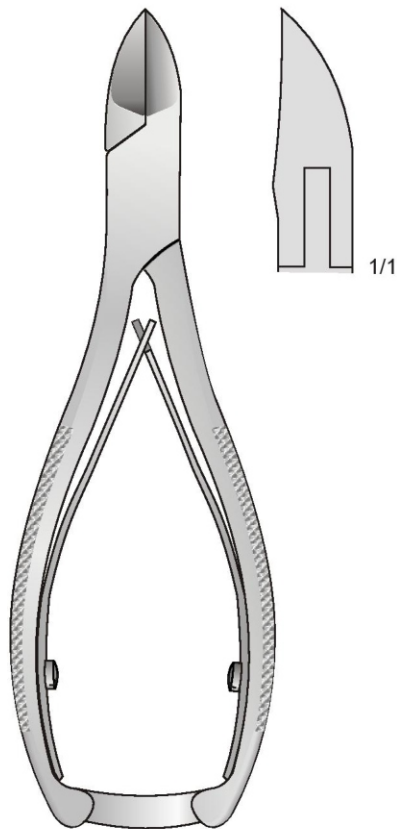
HS-12087-1  
100 mm



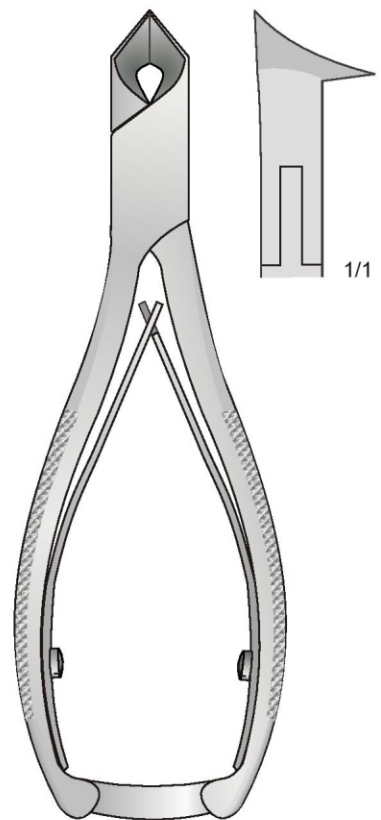
HS-12087-2  
110 mm



HS-12088  
120 mm



HS-12089  
140 mm



HS-12090  
135 mm



**Manufacturer & Exporter  
Of Surgical, Dental & Beauty Instruments.**



# Health Fast Surgical

Surgical Manufacturer Company

+92 (342) 880 9017

+92 (342) 880 9017

info@healthfastsurgical.com

www.healthfastsurgical.com

Dogra Khurd, P.O Harrar Sialkot-51310 Pakistan.



ISO  
9001:2008

